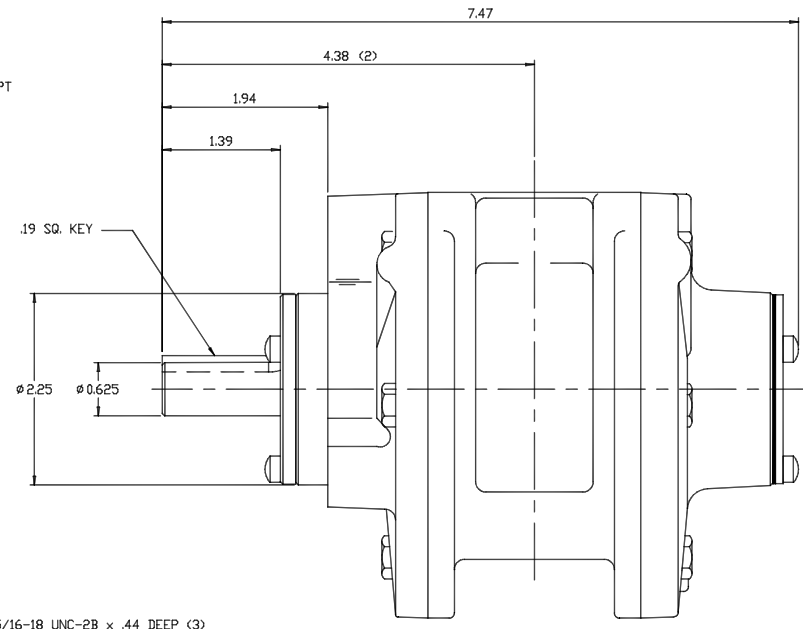
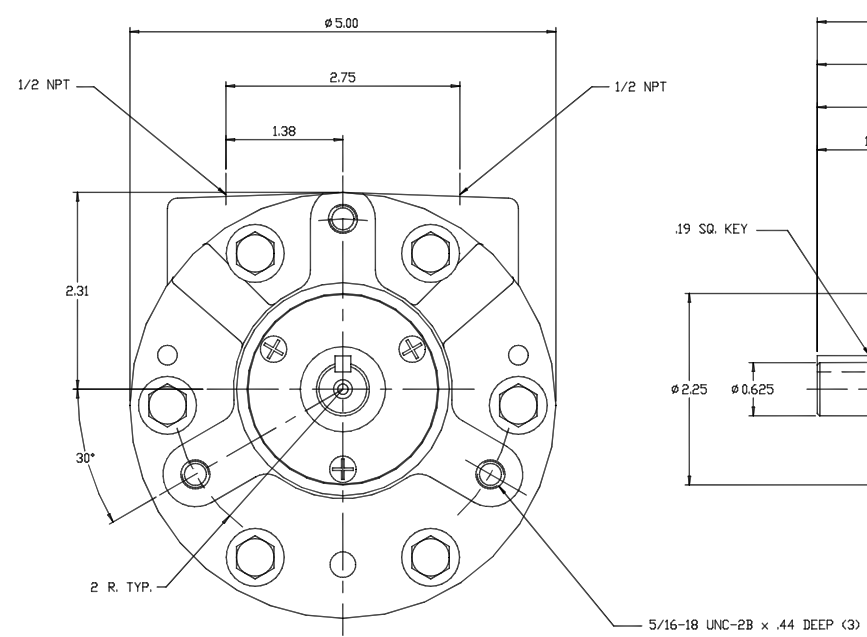
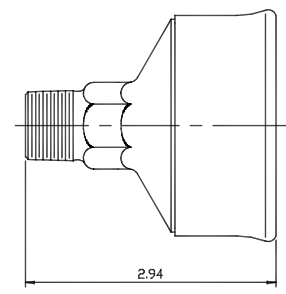


SYK	LIC.	REVISIONS	DATE	BY	CHK



6AM-NRV-7A



MUFFLER ASSEMBLY SHIPPED UNATTACHED

FLATNESS	ALL DIMENSIONS "REF" UNLESS OTHERWISE TOLERANCED	DWG	DR. BY	MGT	DATE	10-2-89	MANUFACTURING CORPORATION BENTON HARBOR, MICH. U.S.A.
SURFACE PROFILE		SIZE	SJB	SCALE	1:1	SOURCE	
PARALLEL		ENG. APPR	RJS	(LOCATION)	MAIN	PROJ	DIMENSIONAL
PERPENDICULAR		MATERIAL	DRAWING NO.	ASM15004	PART NO.	6AM-NRV-7A	AIR MOTOR
TILE POSITION							
CYLINDRICAL							
CONCENTRIC							
CIRCULAR RUN-OUT							
TOTAL RUN-OUT							