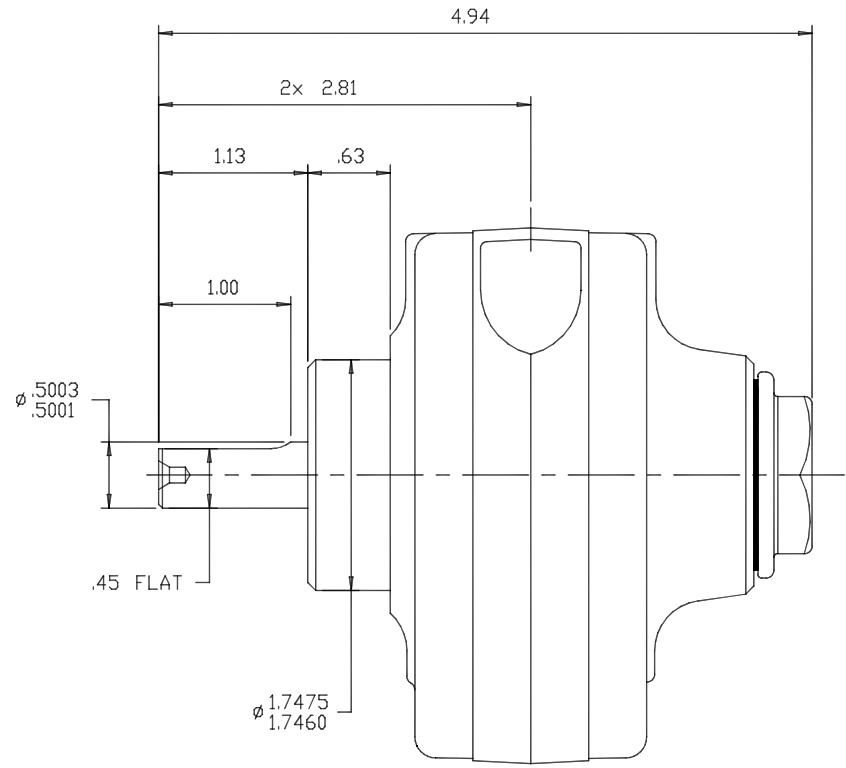
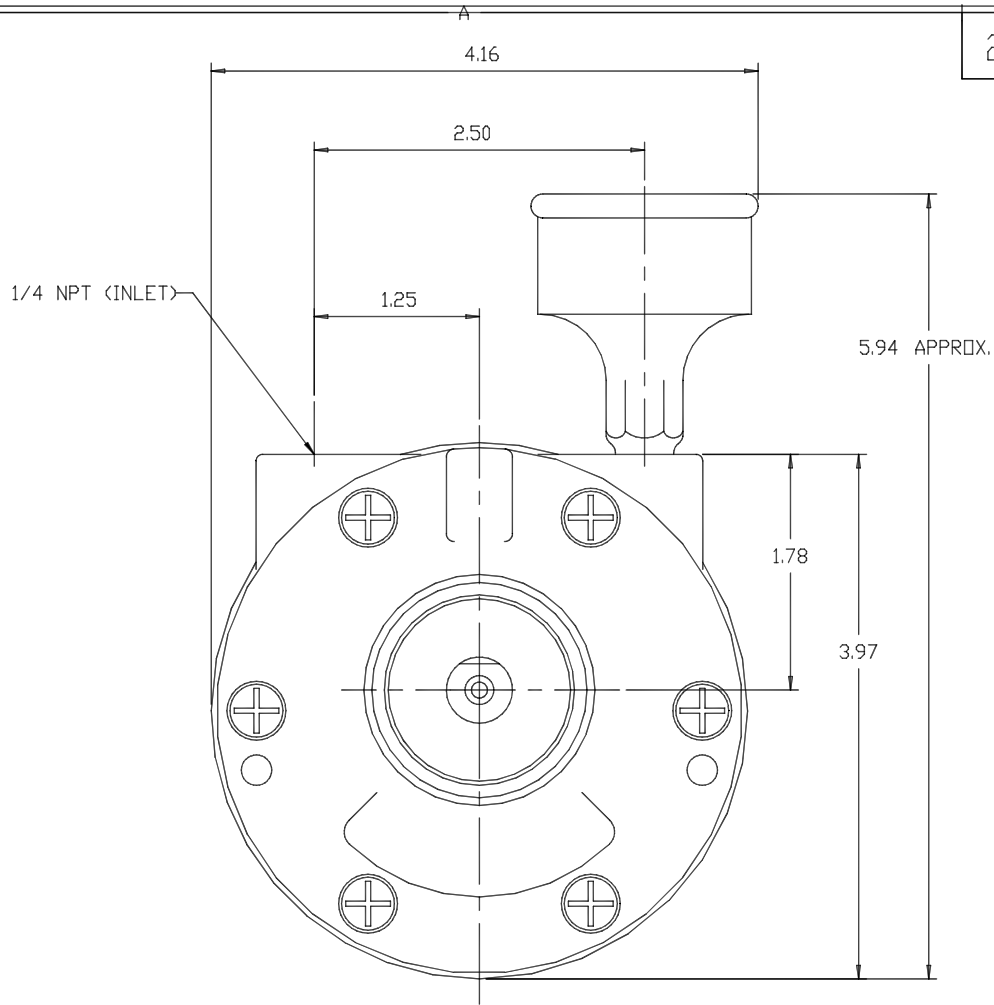


2AM-NCC-16

- NOTES:
 1) ALL DIMENSIONS ARE NOMINAL AND ARE PER MANUFACTURERS STANDARD TOLERANCE UNLESS OTHERWISE SPECIFIED.
 2) MUFFLER REMOVED FROM SIDE VIEW.
 3) MUFFLER SHIPPED UNATTACHED.



		FLATNESS		ALL DIMENSIONS "REF" UNLESS OTHERWISE TOLERANCED	DWG	DR. BY	MGT	DATE	12-22-75	MANUFACTURING CORPORATION BENTON HARBOR, MICH. U.S.A.				
		SURFACE PROFILE			B			SCALE	1:1		SOURCE CODE			
		PARALLEL				MATERIAL			ENG. APPR	RJS	LOCATION	PRD2	PRD. GRP.	
		PERPENDICULAR					DRAWING NO.		ASM13004		PART NO.		2AM-NCC-16	
		TRUE POSITION					REV							
		CYLINDRICAL												
		CONCENTRIC												
		CIRCULAR RUN-OUT												
		TOTAL RUN-OUT												
SYN.	LOC.	REVISIONS	DATE	BY	CN.									