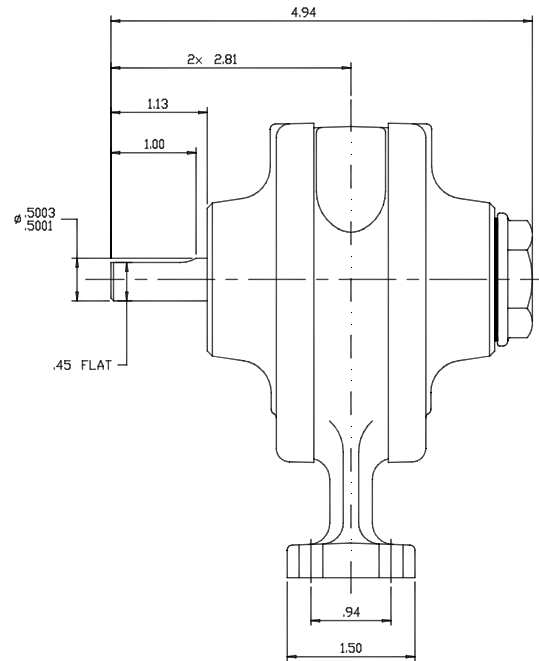
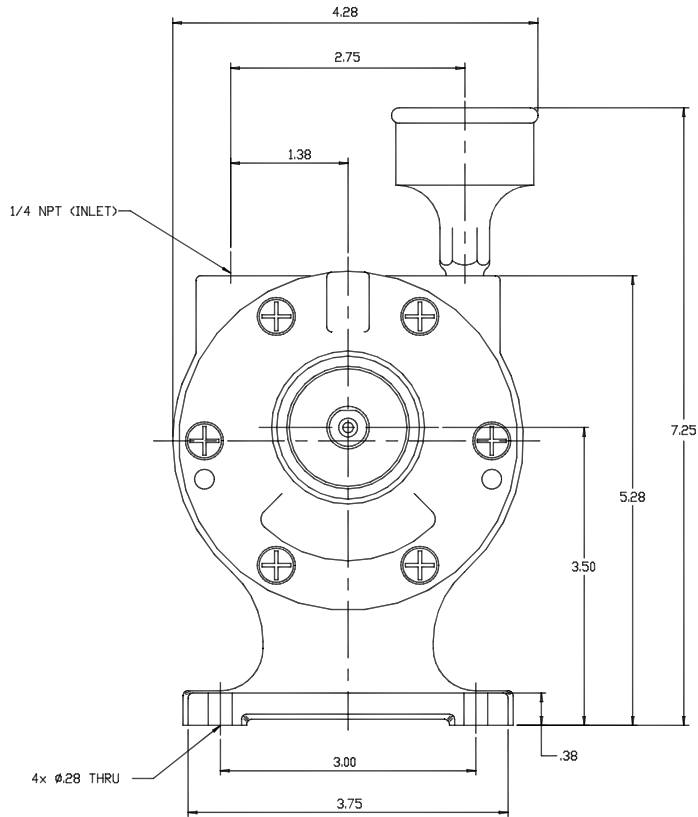


NOTES:
 1) ALL DIMENSIONS ARE NOMINAL AND ARE PER MANUFACTURERS STANDARD TOLERANCE UNLESS OTHERWISE SPECIFIED.
 2) MUFFLER REMOVED FROM SIDE VIEW.

SYM	LIC.	REVISIONS	DATE	BY	CHK



2AM-FCC-1

FLATNESS	ALL DIMENSIONS "REF" UNLESS OTHERWISE TOLERANCED	DWG	DR. BY	MGT	DATE	12-22-75	GAST MANUFACTURING CORPORATION BENTON HARBOR, MICH. U.S.A.
SURFACE PROFILE					SCALE	1:1	
PARALLEL					ENG. APPR	RJS	NAME
PERPENDICULAR							DIMENSIONAL, AIR MOTOR
TILE POSITION							
CYLINDRICAL							
CONCENTRIC	MATERIAL						
CIRCULAR RUN-OUT							
TOTAL RUN-OUT							
			DRAWING NO.		ASM13012		PART NO.
							2AM-FCC-1
							REV