



Mixer Stands

- Manual Lift -

OWNERS MANUAL

Warranty

Our products are guaranteed against defective materials and workmanship, we will repair or replace such items as may prove defective at our option. Warranty period is one year on items manufactured by INDCO. On items not manufactured by INDCO, the manufactures warranty applies. All component parts of our products are covered by this warranty, except for normal wear items such as belts or impellers. We cannot be responsible for damage or abuse to equipment caused by improper installation or operation. Warranties can also be voided by unauthorized disassembly of equipment. For warranty repairs, equipment is returned to INDCO at the customer's expense; we will repair and return to customer at our expense. Under no circumstances will we allow labor charges or other expense to repair defective merchandise. This warranty is exclusive and is in lieu of all other warranties, whether express or implied. INDCO shall not be liable for any other damages, whether consequential, indirect, or incidental, arising from the sale or use of its products.



PS480-BP

PSM84-BT

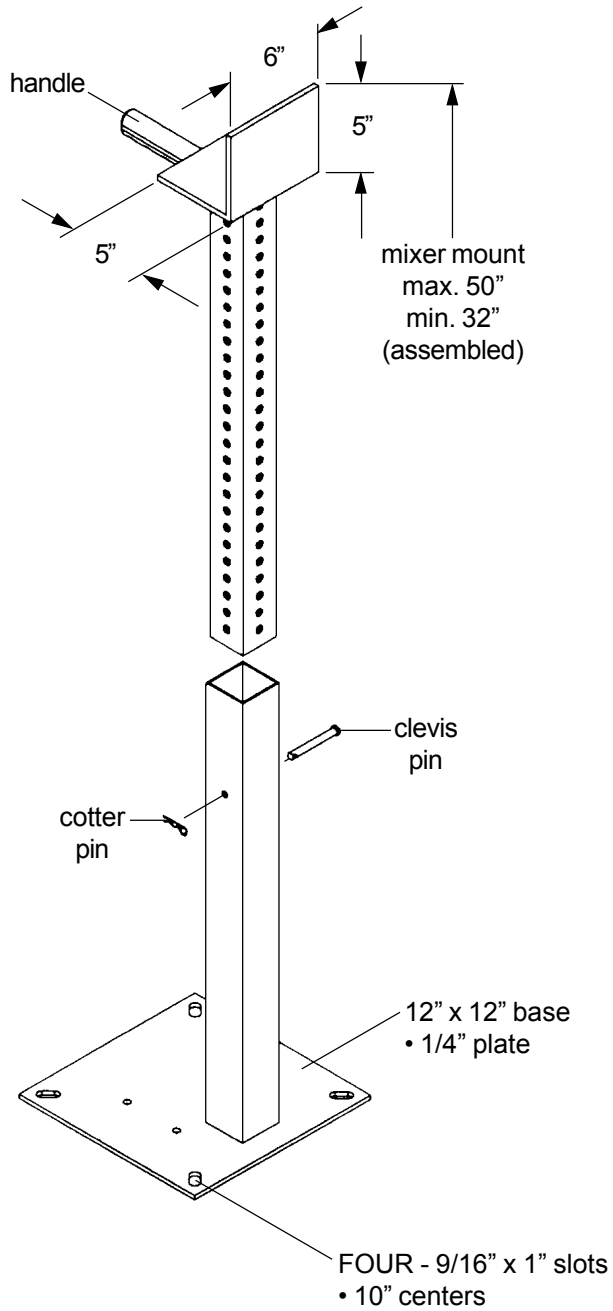
MIXER LIFT STAND - Manual Lift -

Model:	Page
PS480-BP - stationary	2
PS480 - portable "X" Base	3
PSM84-BP - stationary	4
PSM84 - portable "X" Base	5
PSM-BT-BP - stationary	6
PSM-DL-BP - stationary	6
PSM-BT - portable "Tote" Base	7
PSM-DL - portable "Tote" Base	7
Part List	8



INDCO, Inc.
4040 Earnings Way
New Albany, IN 47150
phone: 812-941-5954
fax: 812-944-9742
web: www.indco.com

PS480-BP Stationary Lift Stand



Features:

- Constructed from heavy gauge plate and square tubing, carbon steel - painted.
- Capacity to hold up to 200 lbs.

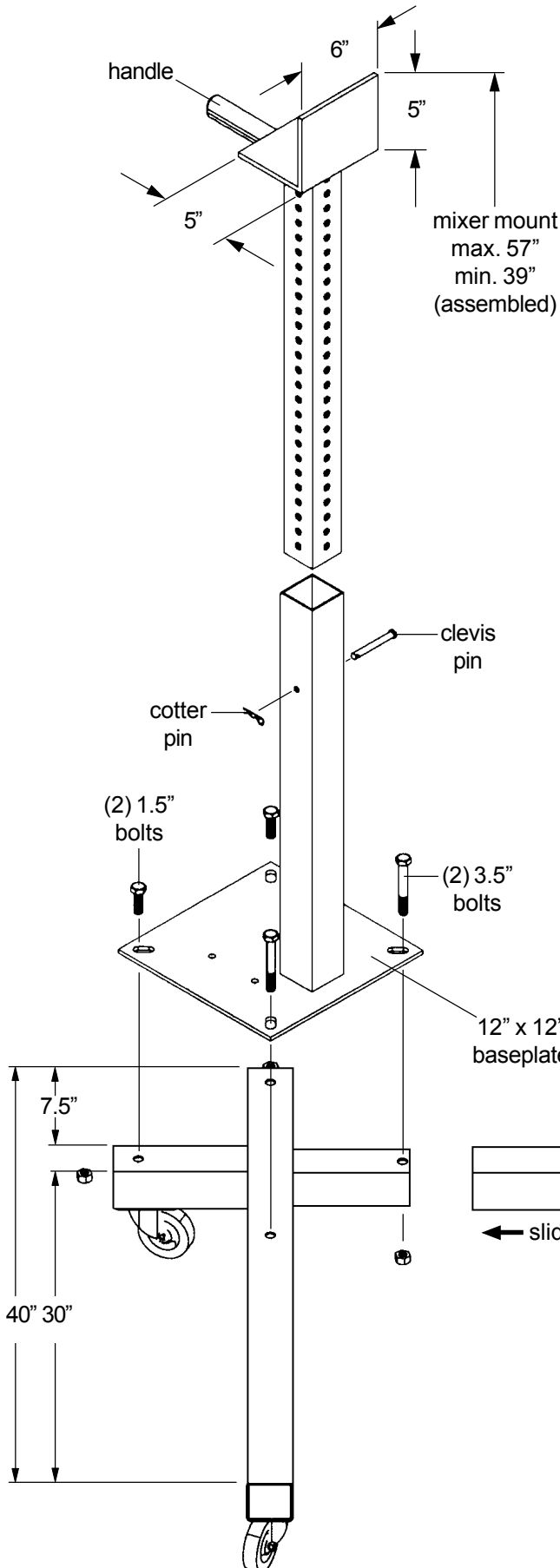
Operation:

- Height adjusts manually with handle on rear of slide assembly and locks in place with a clevis pin, adjustable in 1" increments.

PS480

Portable Lift Stand

- "X" Base -



Features:

- Accommodates containers up to 48" diameter.
- Constructed from heavy gauge plate and square tubing, carbon steel - painted.
- Capacity to hold up to 200 lbs.
- Units supplied with four swivel casters, two with brakes.

Operation:

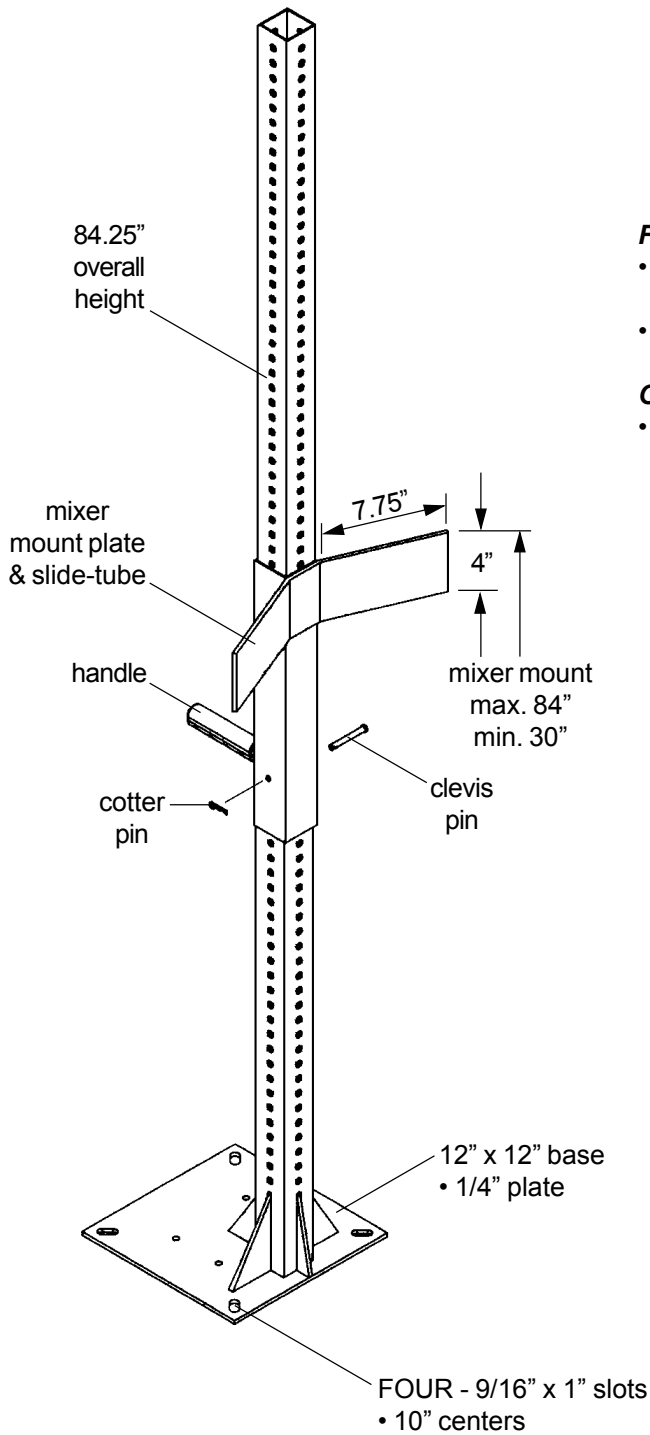
- Height adjusts manually with handle on rear of slide assembly and locks in place with a clevis pin, adjustable in 1" increments.

Assembly - "X" Base:

1. Slide tube ass'y over "stub".
2. Mount 12" x 12" up-right base onto portable "X" base with (4) 1/2" bolts, washers and nuts.

PSM84-BP

Stationary Lift Stand



Features:

- Constructed from heavy gauge plate and square tubing, carbon steel - painted.
- Capacity to hold up to 200 lbs.

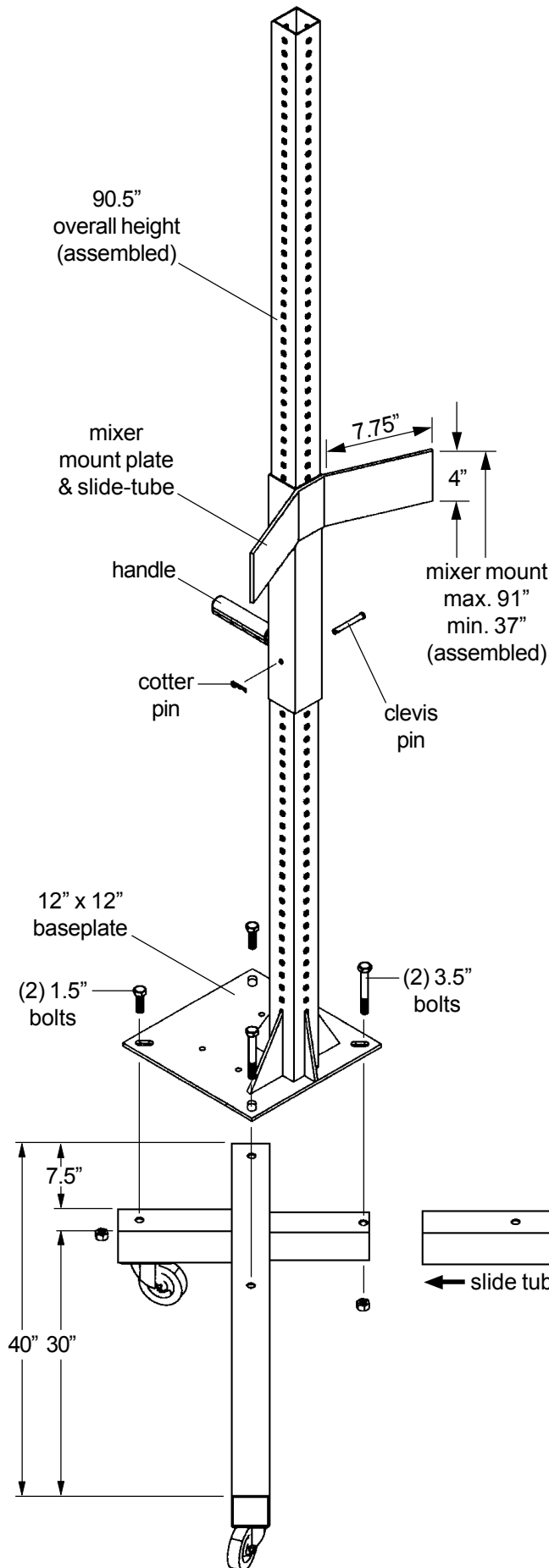
Operation:

- Height adjusts manually with handle on rear of slide tube and locks in place with a clevis pin, adjustable in 1" increments.

PSM84

Portable Lift Stand

- "X" Base -



Features:

- Accommodates containers up to 48" diameter.
- Constructed from heavy gauge plate and square tubing, carbon steel - painted.
- Capacity to hold up to 200 lbs.
- Units supplied with four swivel casters, two with brakes.

Operation:

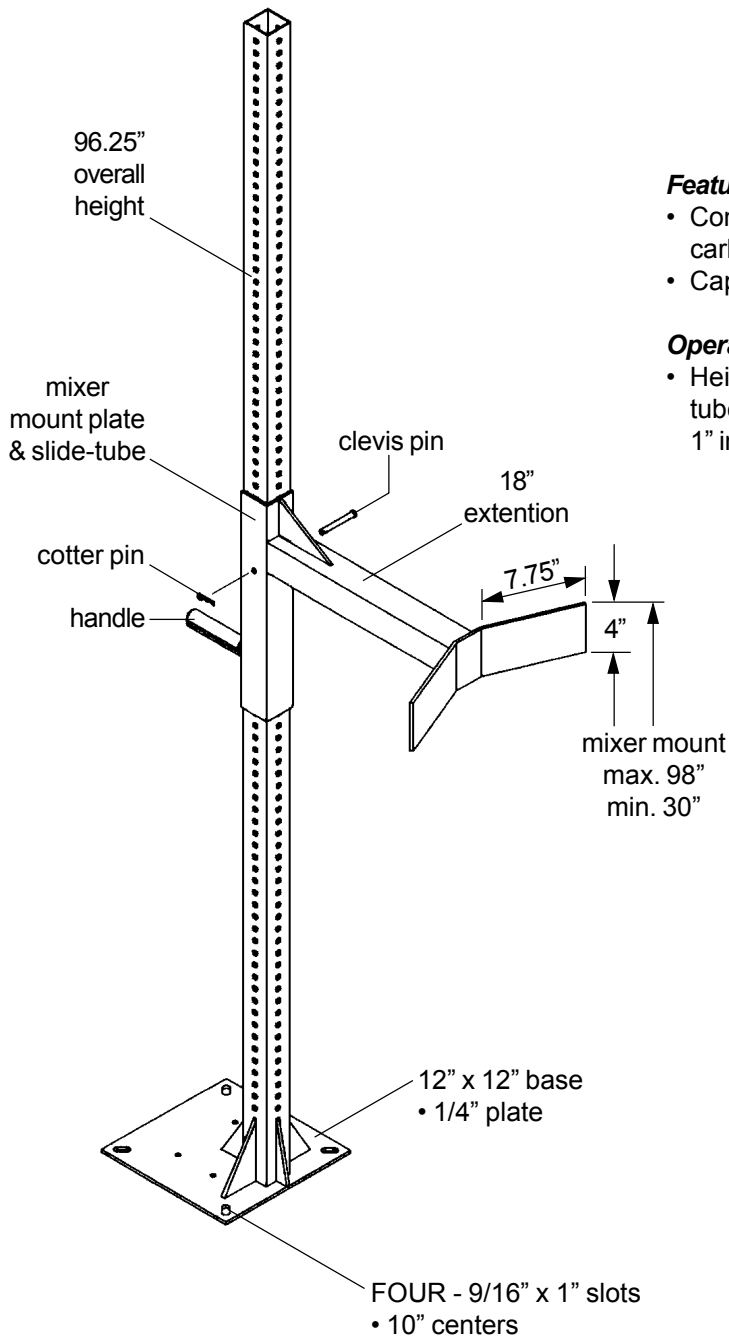
- Height adjusts manually with handle on rear of slide tube and locks in place with a clevis pin, adjustable in 1" increments.

Assembly - "X" Base:

1. Slide tube ass'y over "stub".
2. Mount 12" x 12" up-right base onto portable "X" base with (4) 1/2" bolts, washers and nuts.

PSM-BT-BP

Stationary Lift Stand

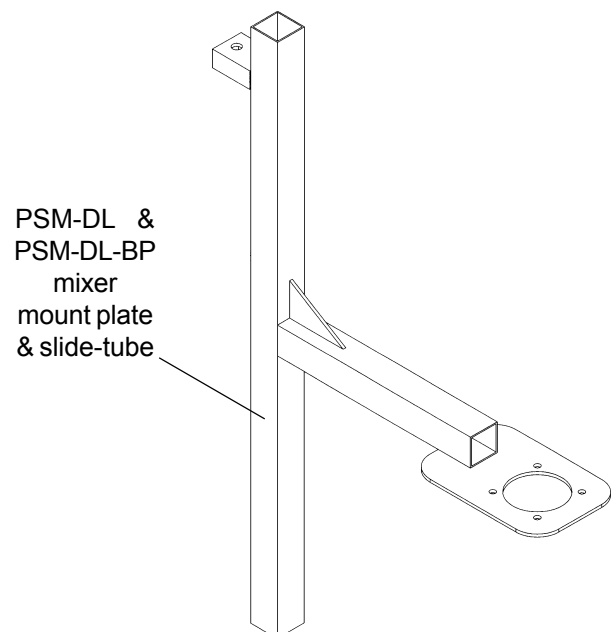


Features:

- Constructed from heavy gauge plate and square tubing, carbon steel - painted.
- Capacity to hold up to 150 lbs.

Operation:

- Height adjusts manually with handle on rear of slide tube and locks in place with a clevis pin, adjustable in 1" increments.



PSM-BT

Portable Lift Stand

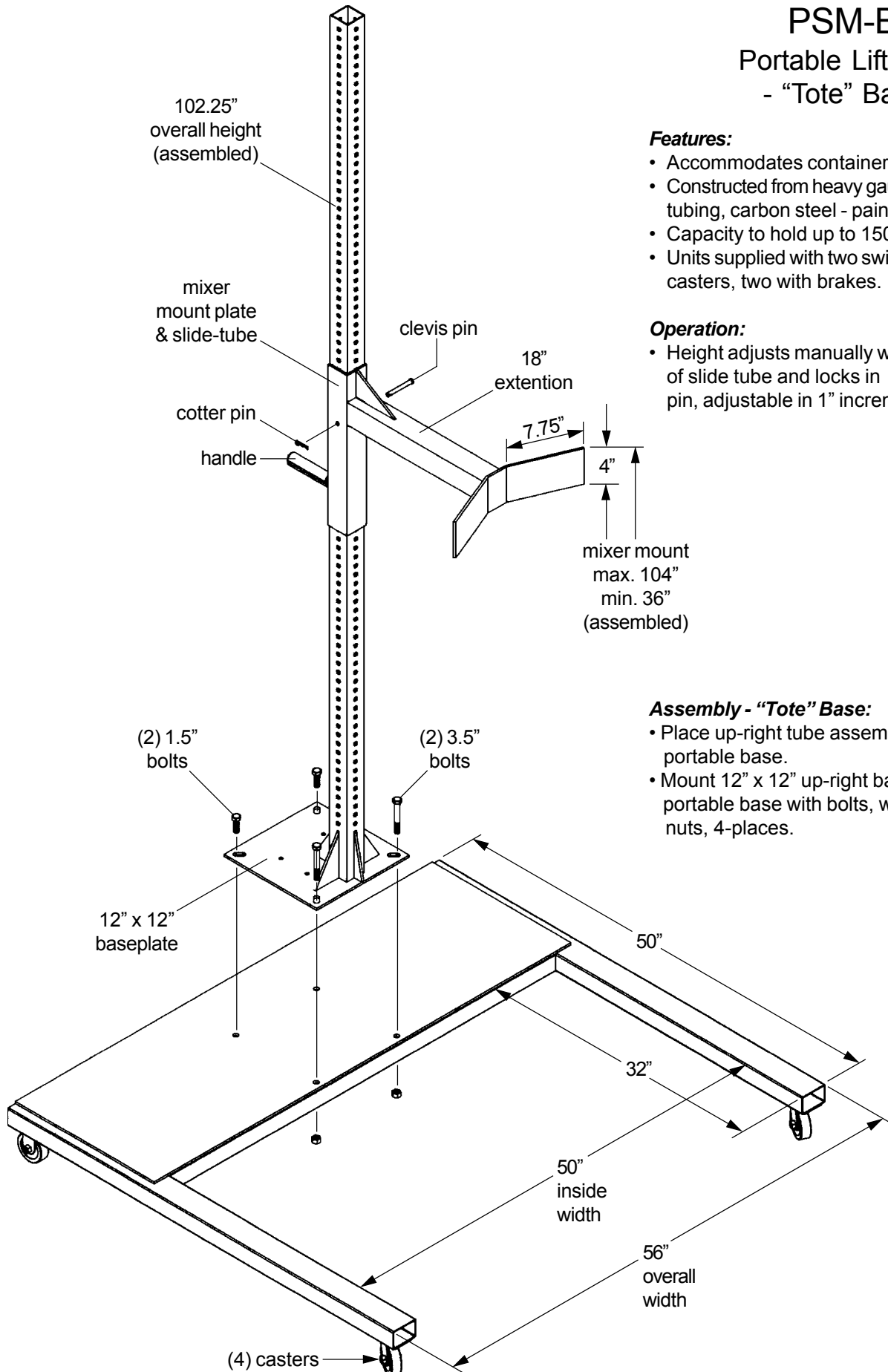
- "Tote" Base -

Features:

- Accommodates containers up to 48" wide.
- Constructed from heavy gauge plate and square tubing, carbon steel - painted.
- Capacity to hold up to 150 lbs.
- Units supplied with two swivel casters, two rigid casters, two with brakes.

Operation:

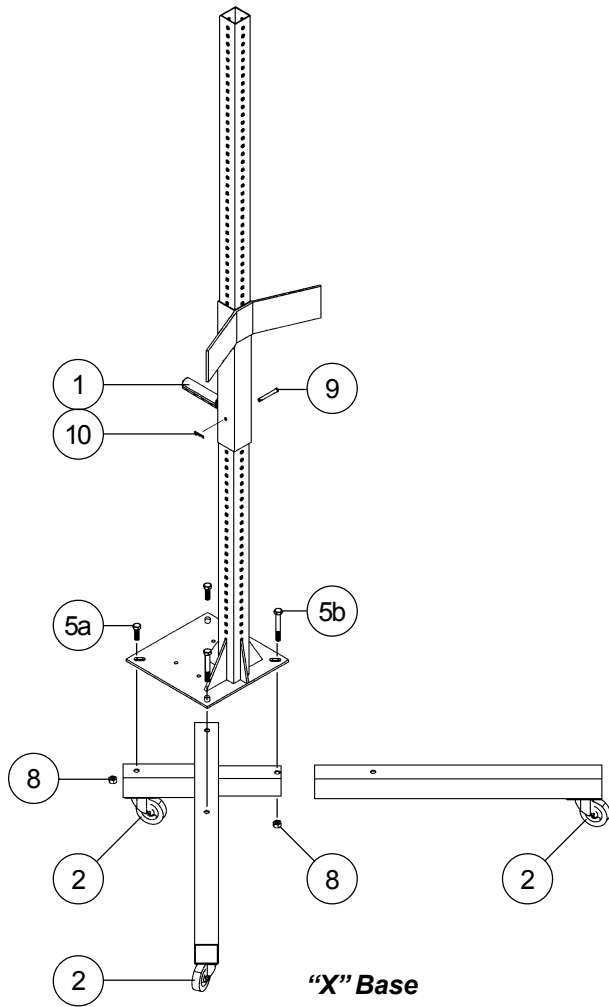
- Height adjusts manually with handle on rear of slide tube and locks in place with a clevis pin, adjustable in 1" increments.



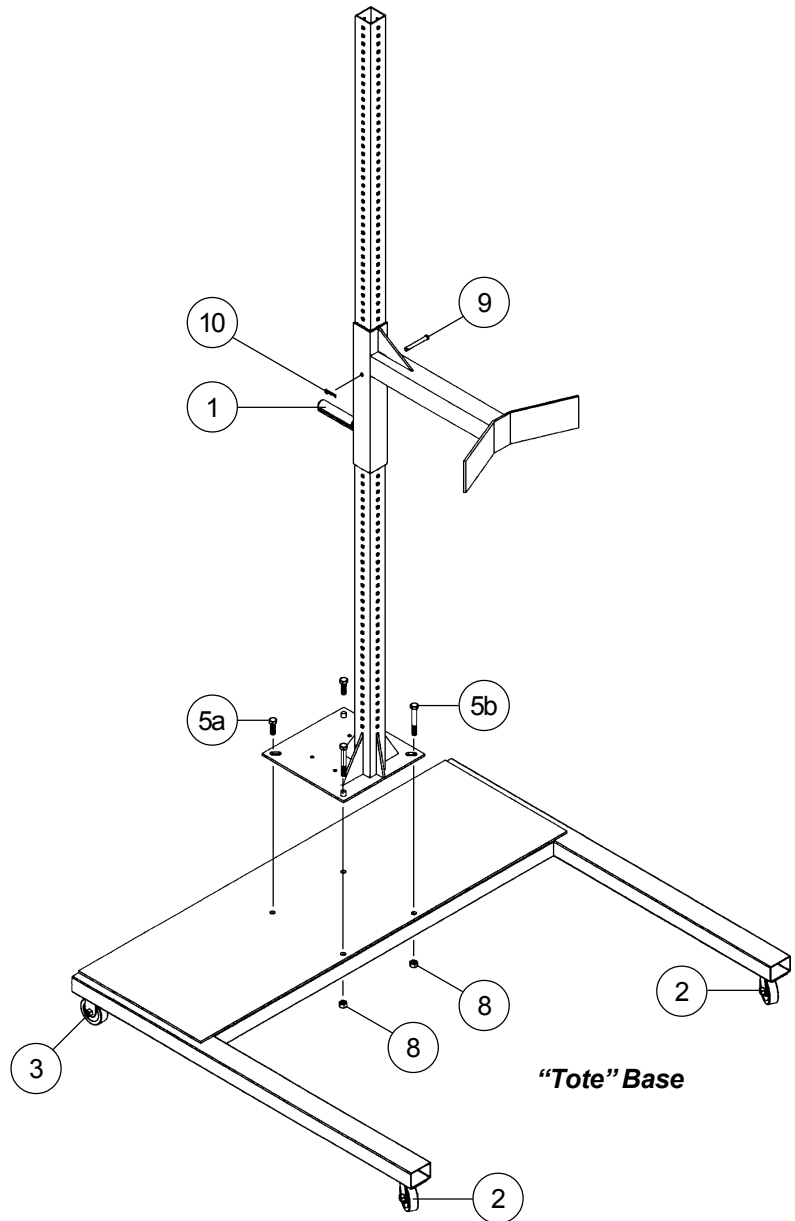
Assembly - "Tote" Base:

- Place up-right tube assembly onto the portable base.
- Mount 12" x 12" up-right base to portable base with bolts, washers and nuts, 4-places.

Parts List - Manual Lift Stands



"X" Base



"Tote" Base

Item	Description	Part No.	Qty.
•	"X" Base with Casters (complete)	N-X-LIFT-BASE	1
•	"Tote" Base with Casters (complete)	N-PSBT-BASE	1
1.	Handle Grip, rubber	HDW-AH875	1
2.	Caster, swivel - 3" dia. wheel	HDW-4X618	2 ~ 4
3.	Caster, rigid - 3" dia. wheel	HDW-4X622	2
4.	Caster brake kit (not shown)	HDW-4X698	2
5a.	Bolt, hex-head 'short' - 1/2"-13 x 1-1/2" long	N-HARDWARE	2
5b.	Bolt, hex-head 'long' - 1/2"-13 x 3-1/2" long	N-HARDWARE	2
6.	Flat washer - 1/2" (not shown)	N-HARDWARE	4
7.	Lock washer - 1/2" (not shown)	N-HARDWARE	4
8.	Nut - 1/2"-13	N-HARDWARE	4
9.	Pin, clevis - 3/8" dia. x 3" long	N-HARDWARE	1
10.	Pin, hairpin cotter - .093" dia. x 1-5/8" long	N-HARDWARE	1