



Mixer Stands

- Electric Lift -

OWNERS MANUAL

Warranty

Our products are guaranteed against defective materials and workmanship, we will repair or replace such items as may prove defective at our option. Warranty period is one year on items manufactured by INDCO. On items not manufactured by INDCO, the manufactures warranty applies. All component parts of our products are covered by this warranty, except for normal wear items such as belts or impellers. We cannot be responsible for damage or abuse to equipment caused by improper installation or operation. Warranties can also be voided by unauthorized disassembly of equipment. For warranty repairs, equipment is returned to INDCO at the customer's expense; we will repair and return to customer at our expense. Under no circumstances will we allow labor charges or other expense to repair defective merchandise. This warranty is exclusive and is in lieu of all other warranties, whether express or implied. INDCO shall not be liable for any other damages, whether consequential, indirect, or incidental, arising from the sale or use of its products.



PSE84

MIXER LIFT STAND - Electric Winch Lift -

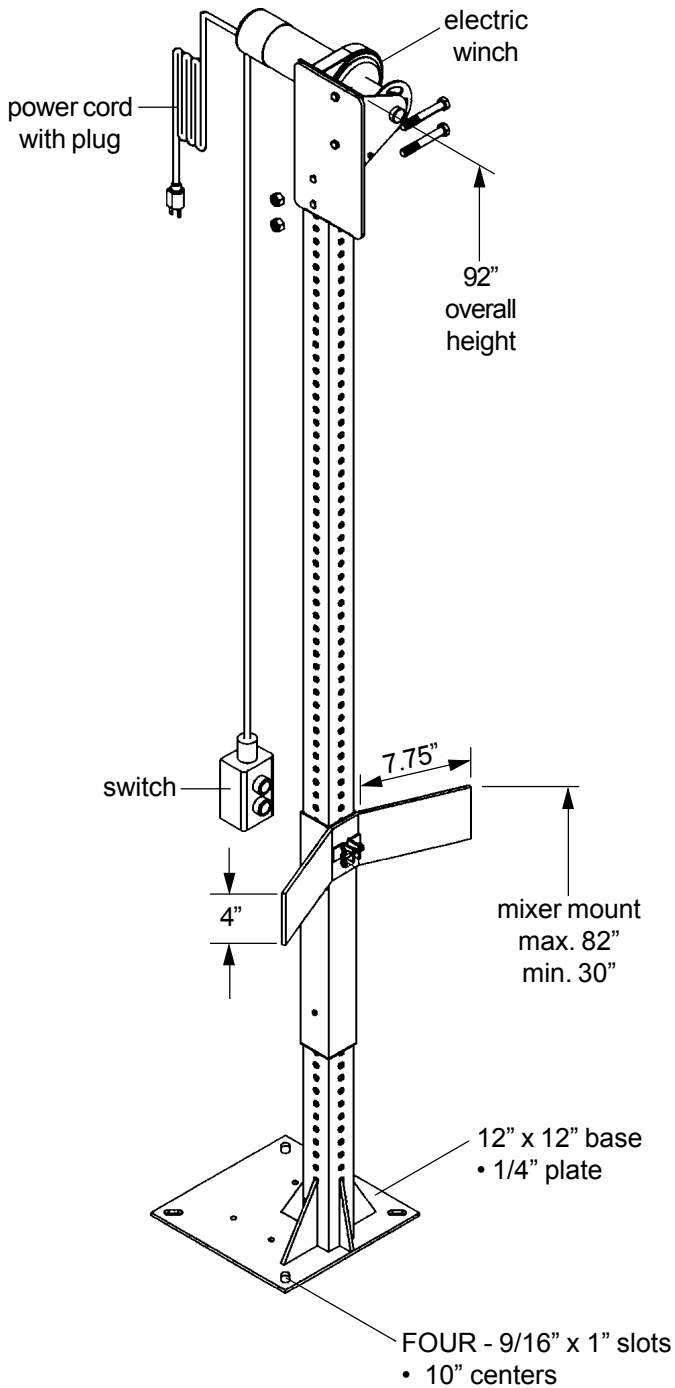
Model:	Page
PSE84-BP - stationary	2
PSE84 - portable "X" Base	3
PSE-BT-BP - stationary	4
PSE-DL-BP - stationary	4
PSE-BT - portable "Tote" Base	5
PSE-DL - portable "Tote" Base	5
Part List	6



INDCO, Inc.
4040 Earnings Way
New Albany, IN 47150
phone: 812-941-5954
fax: 812-944-9742
web: www.indco.com

PSE84-BP

Stationary Lift Stand



Features:

- Constructed from heavy gauge plate and square tubing, carbon steel - painted.
- Capacity to lift up to 200 lbs.
- Electric winch actuation.

Operation:

- Height adjusts using a electric winch to raise & lower mixer via a wire cable. Switch box with cord and plug, operates on 115-volts, 60Hz, single-phase and is not recommended for hazardous locations. (Not Explosion Proof)

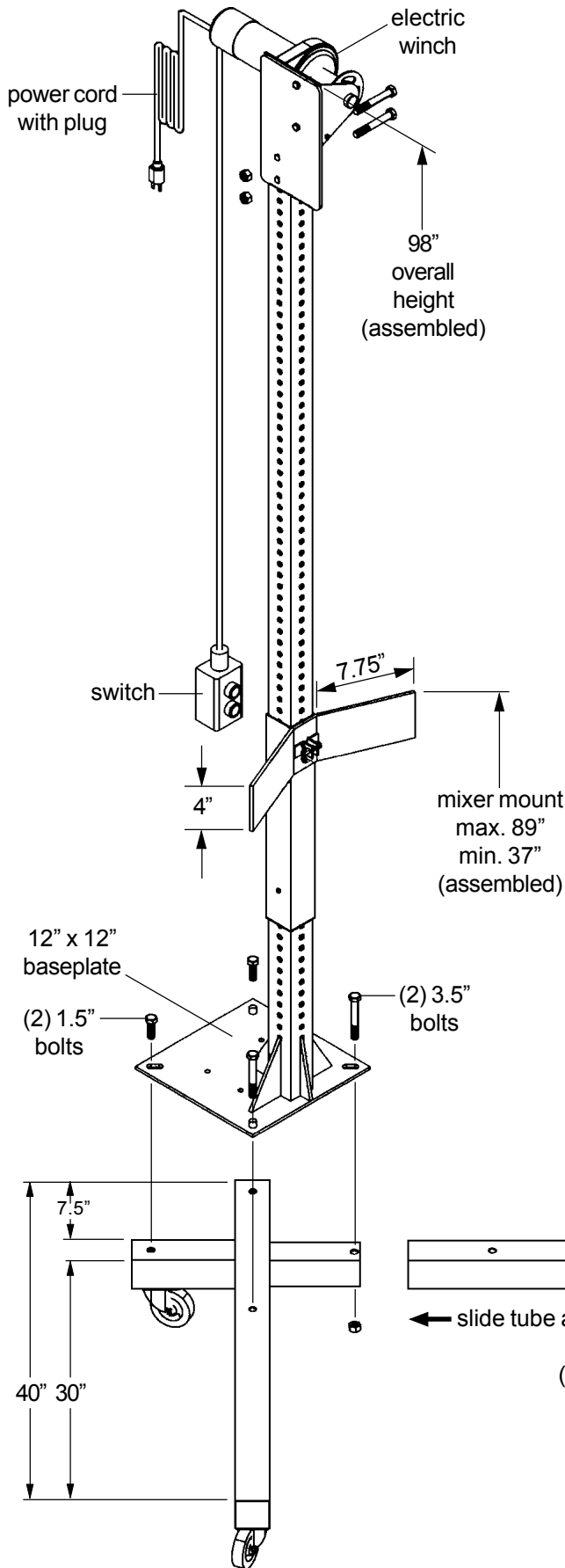
Assembly:

1. Mount winch base plate to top of upright tube as shown with the hardware provided.

PSE84

Portable Lift Stand

- "X" Base -



Features:

- Accommodates containers up to 48" diameter.
- Constructed from heavy gauge plate and square tubing, carbon steel - painted.
- Capacity to lift up to 200 lbs.
- Units supplied with four swivel casters, two with brakes.
- Electric winch actuation.

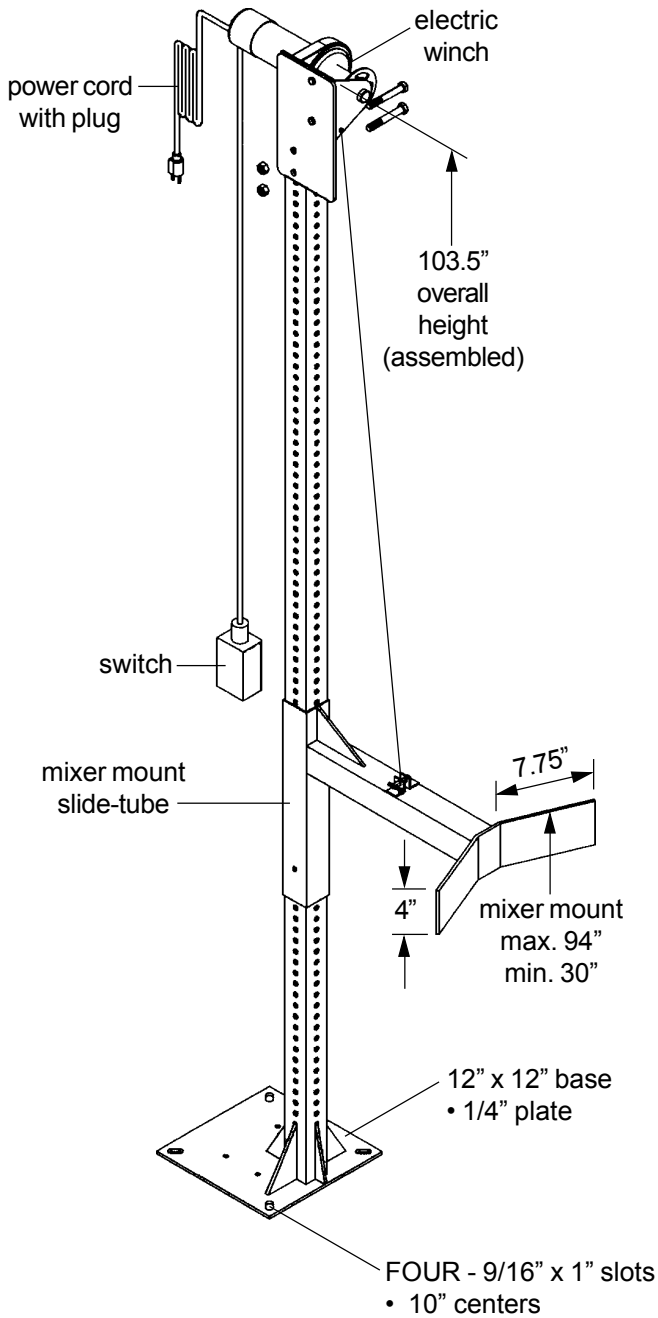
Operation:

- Height adjusts using a electric winch to raise & lower mixer via a wire cable. Switch box with cord and plug, operates on 115-volts, 60Hz, single-phase and is not recommended for hazardous locations. (Not Explosion Proof)

Assembly:

1. Mount winch base plate to top of upright tube as shown with the hardware provided.
2. Slide tube ass'y over "stub".
3. Mount 12" x 12" up-right base onto portable "X" base with (4) 1/2" bolts, washers and nuts.

PSE-BT-BP Stationary Lift Stand



Features:

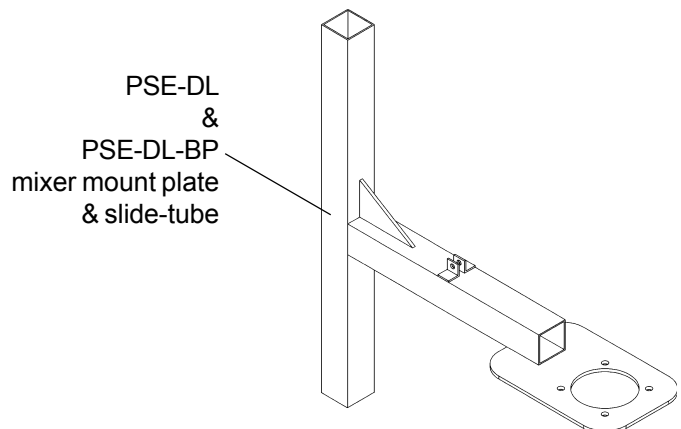
- Constructed from heavy gauge plate and square tubing, carbon steel - painted.
- Capacity to lift up to 200 lbs.
- Electric winch actuation.

Operation:

- Height adjusts using a electric winch to raise & lower mixer via a wire cable. Switch box with cord and plug, operates on 115-volts, 60Hz, single-phase and is not recommended for hazardous locations. (Not Explosion Proof)

Assembly:

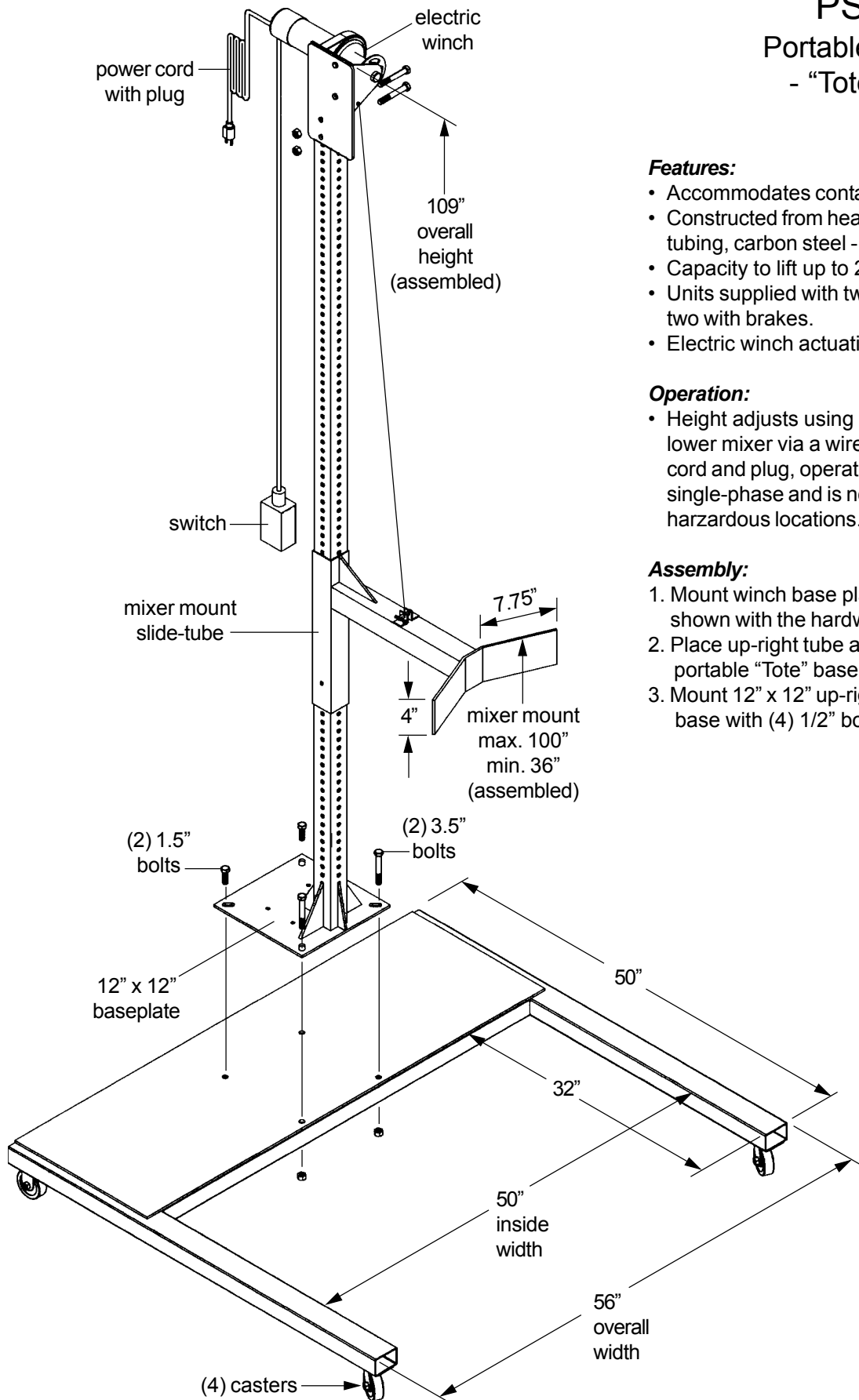
1. Mount winch base plate to top of upright tube as shown with the hardware provided.



PSE-BT

Portable Lift Stand

- "Tote" Base -



Features:

- Accommodates containers up to 48" diameter.
- Constructed from heavy gauge plate and square tubing, carbon steel - painted.
- Capacity to lift up to 200 lbs.
- Units supplied with two rigid, two swivel casters, two with brakes.
- Electric winch actuation.

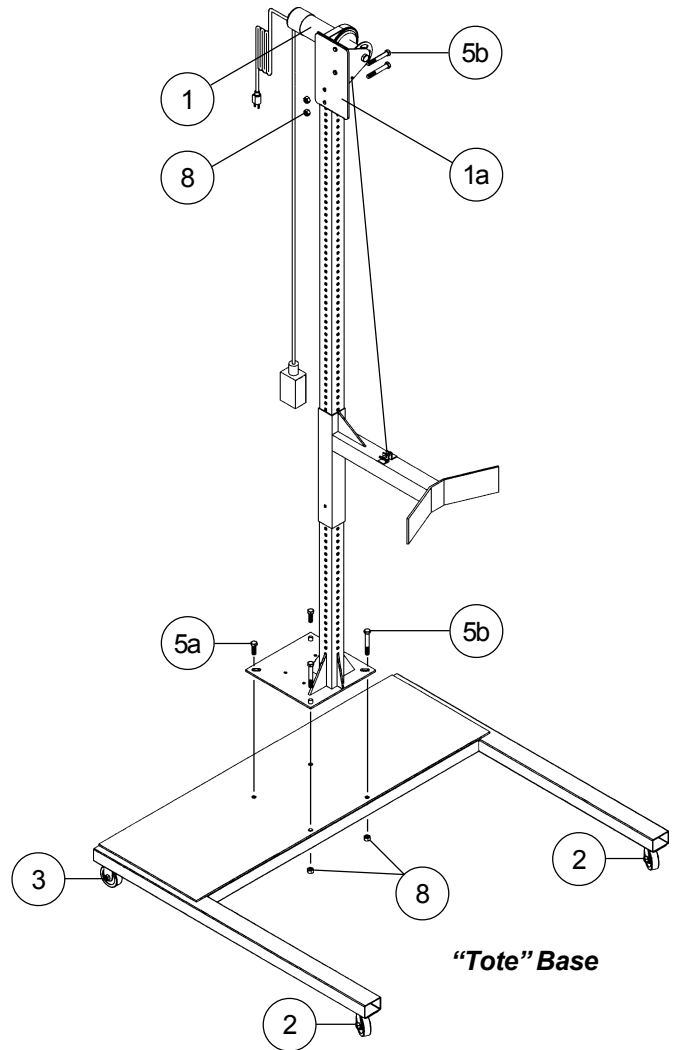
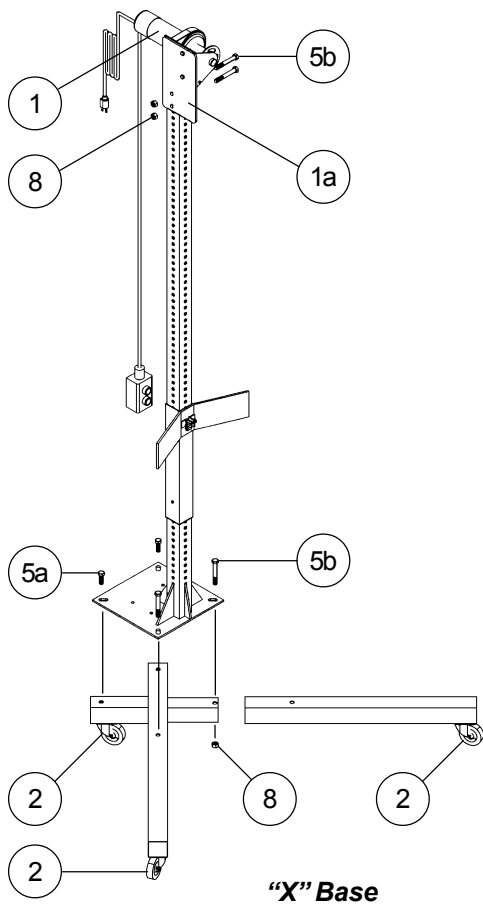
Operation:

- Height adjusts using a electric winch to raise & lower mixer via a wire cable. Switch box with cord and plug, operates on 115-volts, 60Hz, single-phase and is not recommended for hazardous locations. (Not Explosion Proof)

Assembly:

1. Mount winch base plate to top of upright tube as shown with the hardware provided.
2. Place up-right tube assembly onto the portable "Tote" base.
3. Mount 12" x 12" up-right base onto portable "Tote" base with (4) 1/2" bolts, washers and nuts.

Parts List - Electric Lift Stands



Item	Description	Part no.	Qty.
•	"X" Base with Casters (complete)	N-X-LIFT-BASE	1
•	"Tote" Base with Casters (complete)	N-PSBT-BASE	1
1.	Winch complete, 0.6-HP, TEFC, single-phase complete with cable & switch ass'y.	MTR-W115	1
1a.	Base plate for winch, carbon steel	HDW-ELECT-WINCH-PLATE	1
2.	Caster, swivel - 3" dia. wheel	HDW-4X618	2 ~ 4
3.	Caster, rigid - 3" dia. wheel	HDW-4X622	2
4.	Caster brake kit (not shown)	HDW-4X698	2
5a.	short Bolt, hex-head - 1/2"-13 x 1.5"	N-HARDWARE	2
5b.	long Bolt, hex-head - 1/2"-13 x 3.5"	N-HARDWARE	4
6.	Flat washer - 1/2" (not shown)	N-HARDWARE	6
7.	Lock washer - 1/2" (not shown)	N-HARDWARE	6
8.	Nut - 1/2"-13	N-HARDWARE	6