

Mixer Stands -Air Lift-

OWNERSMANUAL

Warranty

Our products are guaranteed against defective materials and workmanship, we will repair or replace such items as may prove defective at our option. Warranty period is one year on items manufactured by INDCO, except for the MixMaster Series Shakers which carries a two year warranty. On items not manufactured by INDCO, the manufactures warranty applies. All component parts of our products are covered by this warranty, except for normal wear items such as belts or impellers. We cannot be responsible for damage or abuse to equipment caused by improper installation or operation. Warranties can also be voided by unauthorized disassembly of equipment. For warranty repairs, equipment is returned to INDCO at the customer's expense; we will repair and return to customer at our expense. Under no circumstances will we allow labor charges or other expense to repair defective merchandise. This warranty is exclusive and is in lieu of all other warranties, whether express or implied. INDCO shall not be liable for any other damages, whether consequential, indirect, or incidental, arising from the sale or use of its products.



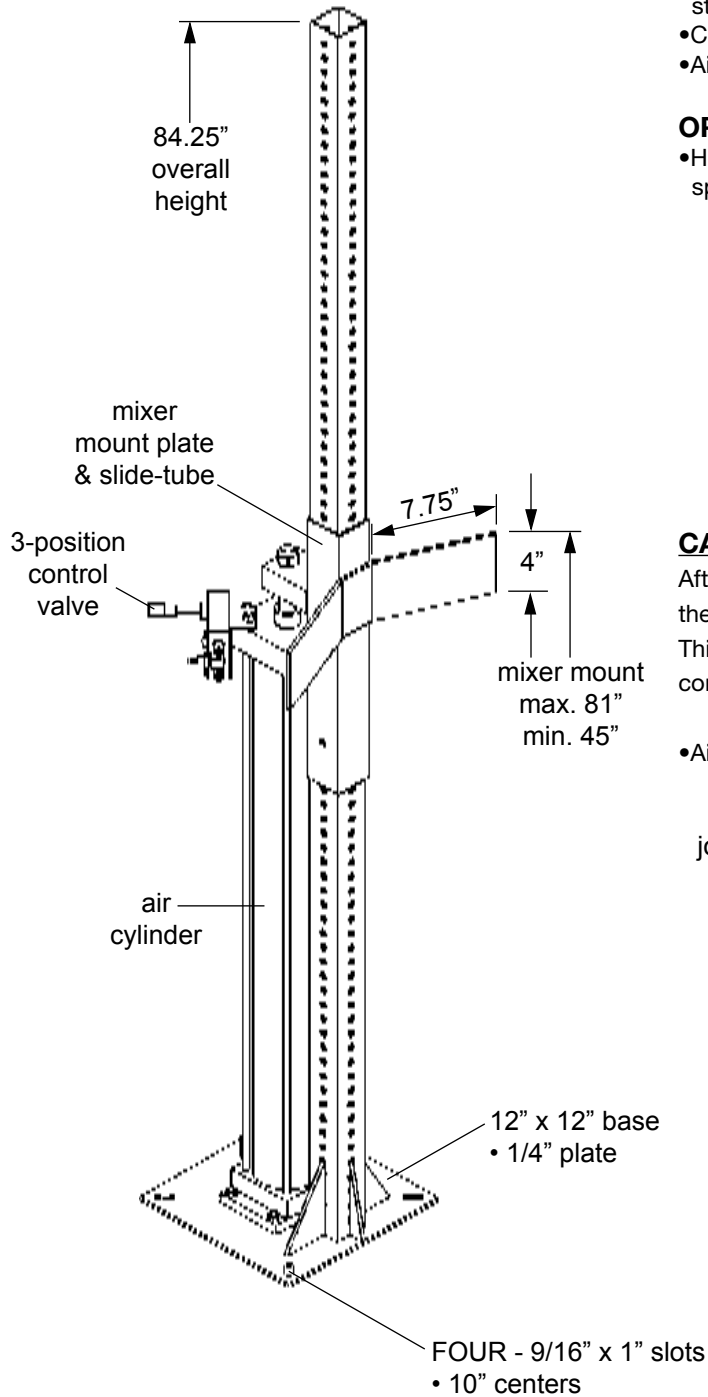
Mixer Lift Stand Air Cylinder Lift

TABLE OF CONTENTS:

PSA84-BP - STATIONARY	2
PSA84 - PORTABLE "X" BASE	3
PSA-BT-BP - STATIONARY	4
PSA-DL-BP - STATIONARY	4
PSA-BT - PORTABLE "TOTE" BASE.....	5
PSA-DL - PORTABLE "TOTE" BASE.....	5
Parts List	6

4040 Earnings Way • NEW ALBANY, IN 47150 •
P: 812-941-5954

PSA84-BP Stationary Lift Stand

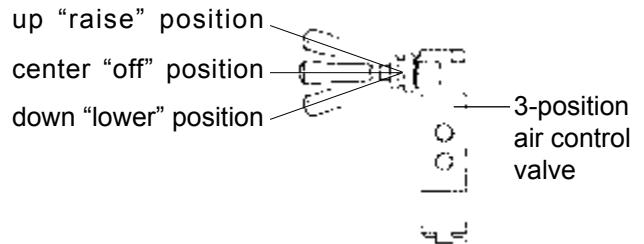


FEATURES:

- Constructed from heavy gauge plate and square tubing, carbon steel - painted.
- Capacity to hold up to 200 lbs.
- Air cylinder actuation - 36" travel. 10cfm @ 40 psi required.

OPERATION:

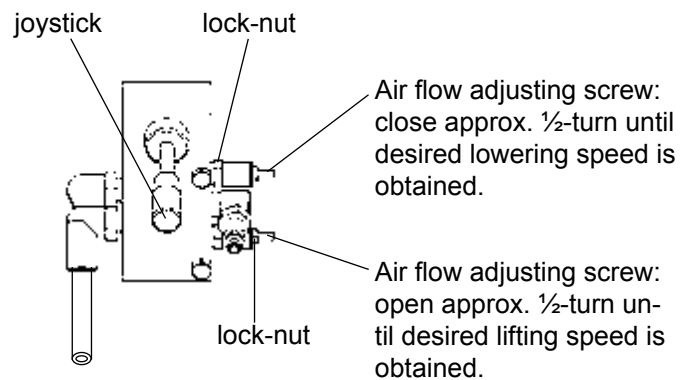
- Height adjusts with a 3-position air control valve. This valve is spring centered and rests in the center "off" position.



CAUTION:

After the air line is installed and before operating this machine for the first time, move the lift control valve to the downward position. This will "charge" the air cylinder and prevent surging when the lift control valve is moved to the upward position.

- Air Valve - Cylinder speed control adjustment:



Once desired raise & lowering speeds are obtained, tighten locking nuts.

Portable Lift Stand

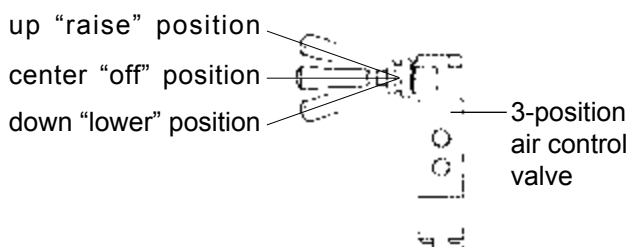
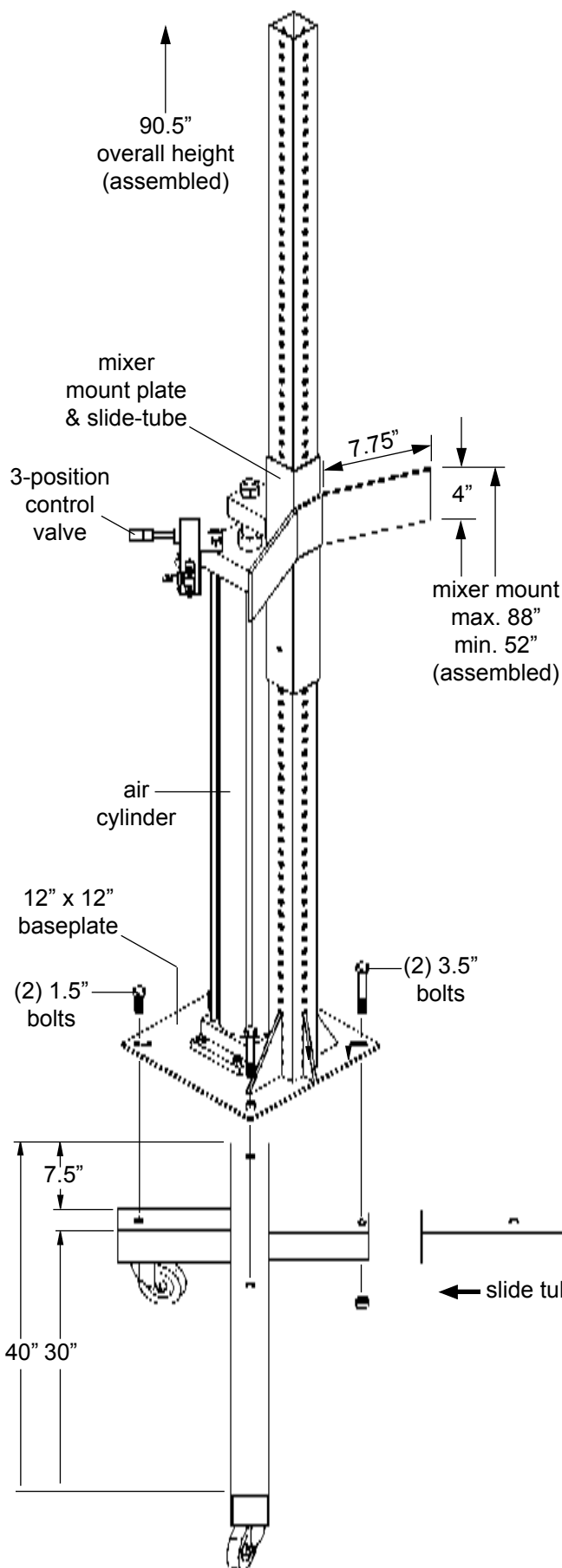
- "X" Base -

FEATURES:

- Accommodates containers up to 48" diameter.
- Constructed from heavy gauge plate and square tubing, carbon steel - painted.
- Capacity to hold up to 200 lbs.
- Units supplied with four swivel casters, two with brakes.
- Air cylinder actuation - 36" travel. 10cfm @ 40 psi required.

OPERATION:

- Height adjusts with a 3-position air control valve. This valve is spring centered and rests in the center "off" position.

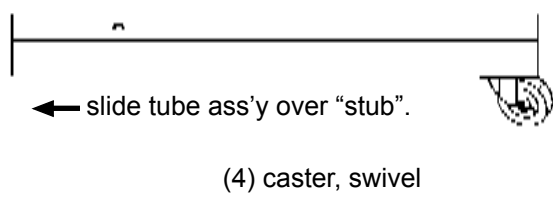


CAUTION:

After the air line is installed and before operating this machine for the first time, move the lift control valve to the downward position. This will "charge" the air cylinder and prevent surging when the lift control valve is moved to the upward position.

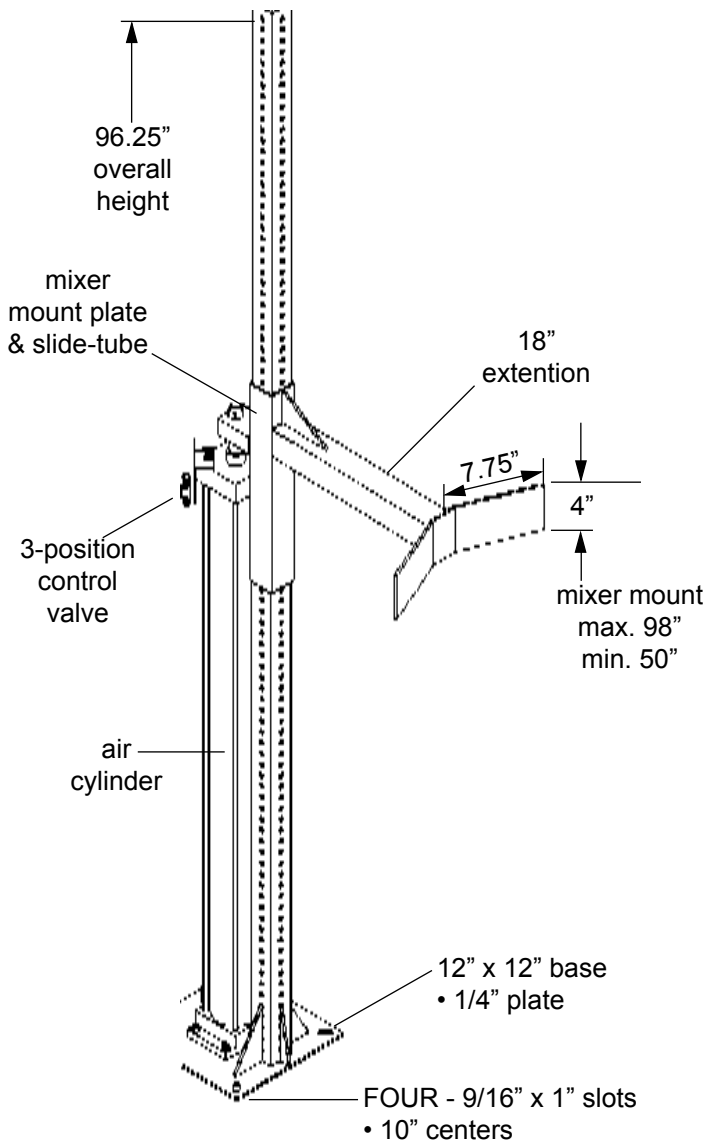
ASSEMBLY - "X" BASE:

- 1, Slide tube assembly over "stub".
2. Mount 12" x 12" up-right base onto portable "X" base with (4) 1/2" bolts, washers and nuts.



PSA-BT-BP

Stationary Lift Stand

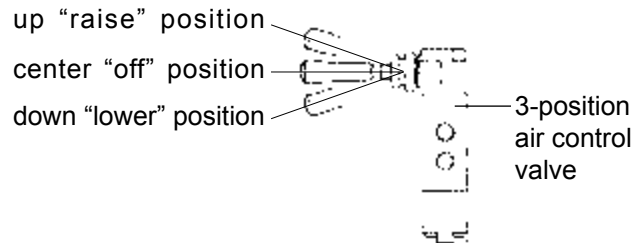


FEATURES:

- Accommodates containers up to 48" diameter.
- Constructed from heavy gauge plate and square tubing, carbon steel - painted.
- Capacity to hold up to 150 lbs.
- Air cylinder actuation - 48" travel. 10cfm @ 40 psi required.

OPERATION:

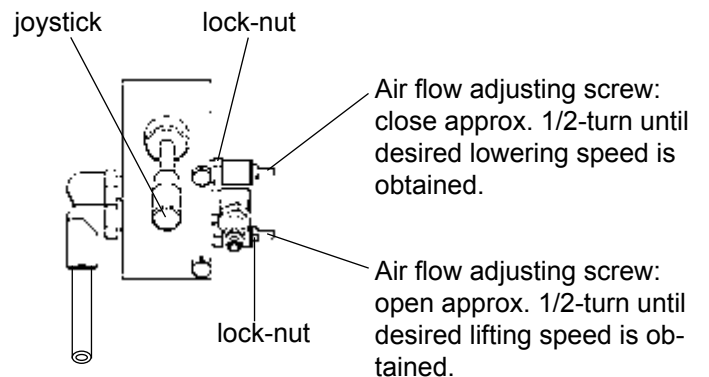
- Height adjusts with a 3-position air control valve. This valve is spring centered and rests in the center "off" position.



CAUTION:

After the air line is installed and before operating this machine for the first time, move the lift control valve to the downward position. This will "charge" the air cylinder and prevent surging when the lift control valve is moved to the upward position.

- Air Valve - Cylinder speed control adjustment:

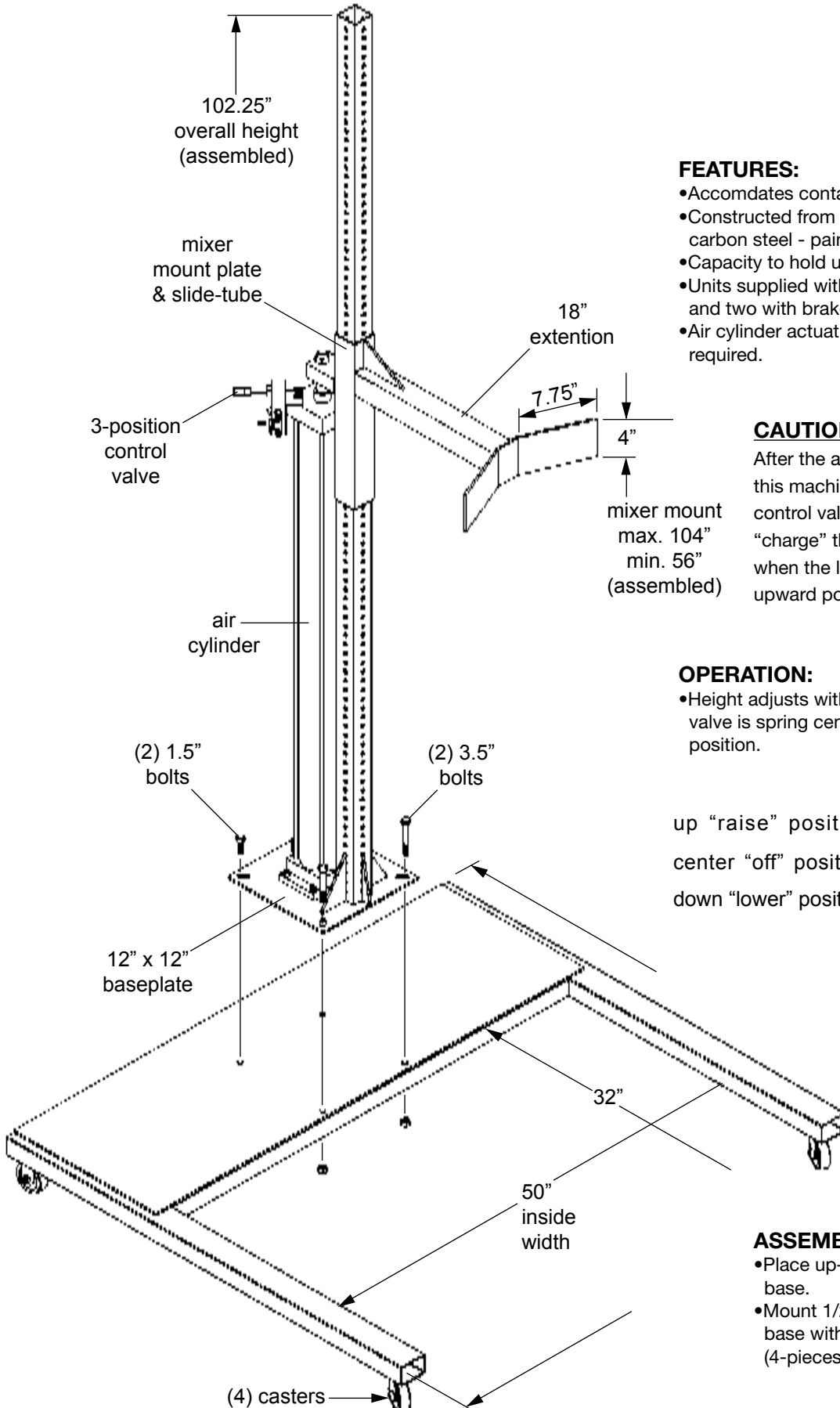


Once desired raise & lowering speeds are obtained, tighten locking nuts.

PSA-BT

Portable Lift Stand

-"Tote" Base-



FEATURES:

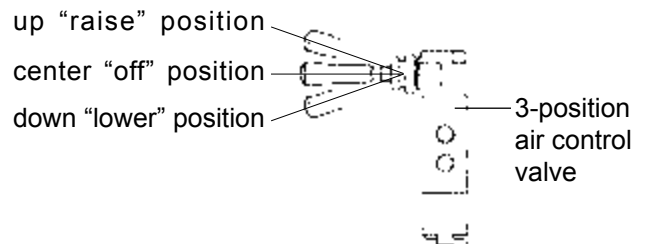
- Accommodates containers up to 48" diameter.
- Constructed from heavy gauge plate and square tubing, carbon steel - painted.
- Capacity to hold up to 150 lbs.
- Units supplied with two swivel casters, two rigid casters and two with brakes.
- Air cylinder actuation - 48" travel. 10cfm @ 40 psi required.

CAUTION:

After the air line is installed and before operating this machine for the first time, move the lift control valve to the downward position. This will "charge" the air cylinder and prevent surging when the lift control valve is moved to the upward position.

OPERATION:

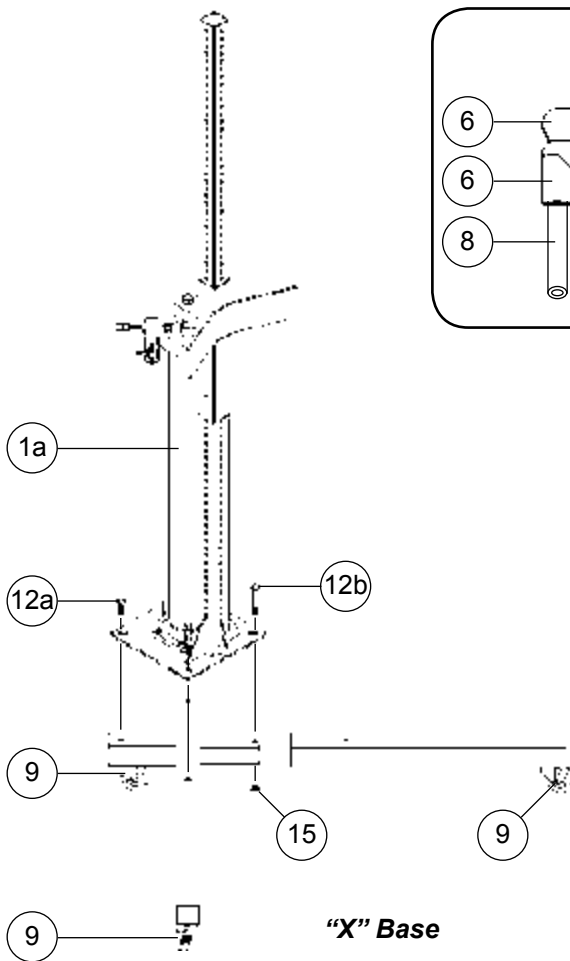
- Height adjusts with a 3-position air control valve. This valve is spring centered and rests in the center "off" position.



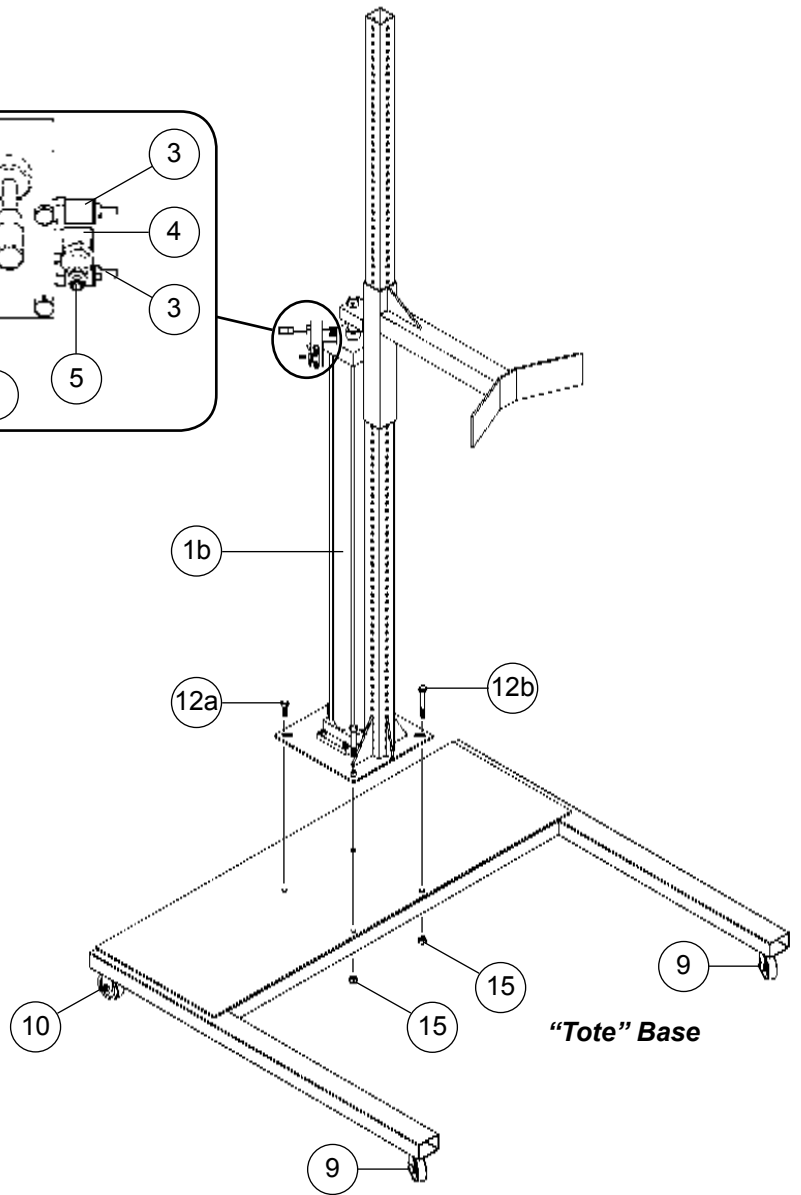
ASSEMBLY "TOTE" BASE:

- Place up-right tube assembly onto the portable base.
- Mount 1/2" x 12" up-right base to portable base with 1/2" bolts, washer and nuts. (4-pieces).

Parts List - Air Lift Stands



"X" Base



"Tote" Base

ITEM DESCRIPTION

- "X" Base with Casters (complete)
- "Tote" Base with Casters (complete)
- 1a. Air Cylinder - 36" (models: PSA84-BP & PSA84)
- 1b. Air Cylinder - 48" (models: PSA-BT-BP & PSA-BT)
- 2. Spool Valve, 3-position
- 3. Muffler for Spool Valve - brass
- 4. Street elbow, 1/4" - brass
- 5. Quick connect fitting, male, 1/4" - steel
- 6. Push connect, 90° elbow - 3/8" tube x 1/4"MNPT
- 7. Push connect, 90° elbow - 3/8" tube x 1/2"MNPT (not shown)
- 8. Tubing, 3/8" x 60" long
- 9. Caster, swivel - 3" dia. wheel
- 10. Caster, rigid - 3" dia. wheel
- 11. Caster brake kit (not shown)
- 12a. short Bolt, hex-head - 1/2"-13 x 1.5"
- 12b. long Bolt, hex-head - 1/2"-13 x 3.5"
- 13. Flat washer - 1/2" (not shown)
- 14. Lock washer - 1/2" (not shown)
- 15. Nut - 1/2"-13

PART NO.

PART NO.	QTY.
N-X-LIFT-BASE	1
N-PSBT-BASE	1
HDW-4X36	1
HDW-4X48	1
HDW-E2181-1000	1
HDW-SPCMUF	2
HDW-2202P-4-4	1
HDW-1/4-M-QCPLUG	1
HDW-W369ML-6-4	2
HDW-W369ML-6-8	2
HDW-EB-64-0500	1
HDW-4X618	2 ~ 4
HDW-4X622	2
HDW-4X698	2
N-HARDWARE	2
N-HARDWARE	2
N-HARDWARE	4
N-HARDWARE	4
N-HARDWARE	4