

5-Gallon Pail Mixer

OWNERSMANUAL

Warranty

Our products are guaranteed against defective materials and workmanship, we will repair or replace such items as may prove defective at our option. Warranty period is one year on items manufactured by INDCO, except for the MixMaster Series Shakers which carries a two year warranty. On items not manufactured by INDCO, the manufactures warranty applies. All component parts of our products are covered by this warranty, except for normal wear items such as belts or impellers. We cannot be responsible for damage or abuse to equipment caused by improper installation or operation. Warranties can also be voided by unauthorized disassembly of equipment. For warranty repairs, equipment is returned to INDCO at the customer's expense; we will repair and return to customer at our expense. Under no circumstances will we allow labor charges or other expense to repair defective merchandise. This warranty is exclusive and is in lieu of all other warranties, whether express or implied. INDCO shall not be liable for any other damages, whether consequential, indirect, or incidental, arising from the sale or use of its products.



M-2000 Series Mixers

TABLE OF CONTENTS:

Safety & General	2
Receiving & Operation.....	3
Parts List.....	4-5

4040 Earnings Way • NEW ALBANY, IN 47150 •
P: 812-941-5954 F: 812-944-9742 •
INDCO.COM • INFO@INDCO.COM

Safety:

Please read this complete manual before trying to operate your mixer. Failure to follow these instructions could result in serious bodily injury or death.

- Do not touch moving parts while mixer is operating.
- Do not wear loose-fitting clothes or jewelry around an operating mixer.
- Keep all hands, feet, clothes, neckties, necklaces and other objects clear of moving parts.

ELECTRIC MOTOR SAFETY:

Not all rotating parts are guarded. Keep hands and clothing away from moving parts. Trained, qualified personnel should make electrical repairs and non-standard connections. If environment has hazardous combustible fumes present, use only explosion-proof electric motors.

AIR MOTOR SAFETY:

The air motor is designed to be driven by compressed air and under no circumstances be driven with any other gases. Fluids, particles, solids or any substance mixed with air, particularly combustible substances likely to cause explosions, must not drive air motor.

- Do not drive with flammable or explosive gases or operate unit in an atmosphere containing them.
- Air motor is designed for air only. Do not allow corrosive gases or particulate material to enter motor. Water vapor, oil-based contaminants, or other liquids must be filtered out.
- Do not use a hammer or force coupling or drive pulley onto shaft when installing drive onto air motor. This causes end thrust that could damage air motor.
- Ambient temperature should not exceed 250°F.
- Beware of any exposed and/or movable parts. Proper guards should be in place to prevent personal and/or property damage.
- Solid or liquid material exiting unit can cause eye or skin damage. Keep away from air stream.
- Always disconnect air supply before servicing.
- Do not allow air motor to "run free" at high speeds with no loads. Excessive internal heat build-up, loss of internal clearances and rapid motor damage will result.
- Some models may exceed 85dB(A) sound level. Hearing protection should be worn when in close proximity to these models.

General

INDCO M-2000 series provide thorough mixing from a turntable style mixer. These units provide a rolling, scraping, mixing action, and adjustable mixing angle, and a quickly removable mixing paddle. Adjusts to mix many sizes of pails between one and five - gallons.

ELECTRIC MODELS:

- 1/2 HP electric motors operate on 115-volts, single-phase, 60Hz service.

-ODP	1-speed	60 rpm
-TEFC	1-speed	60 rpm
-EX-PROOF	1-speed	60 rpm
-TENV	variable-speed	0 to 60 rpm

AIR MODEL:

- 3/4 HP air motor operates on 30 cfm, 100psi service.
 - variable-speed 0 to 100 rpm

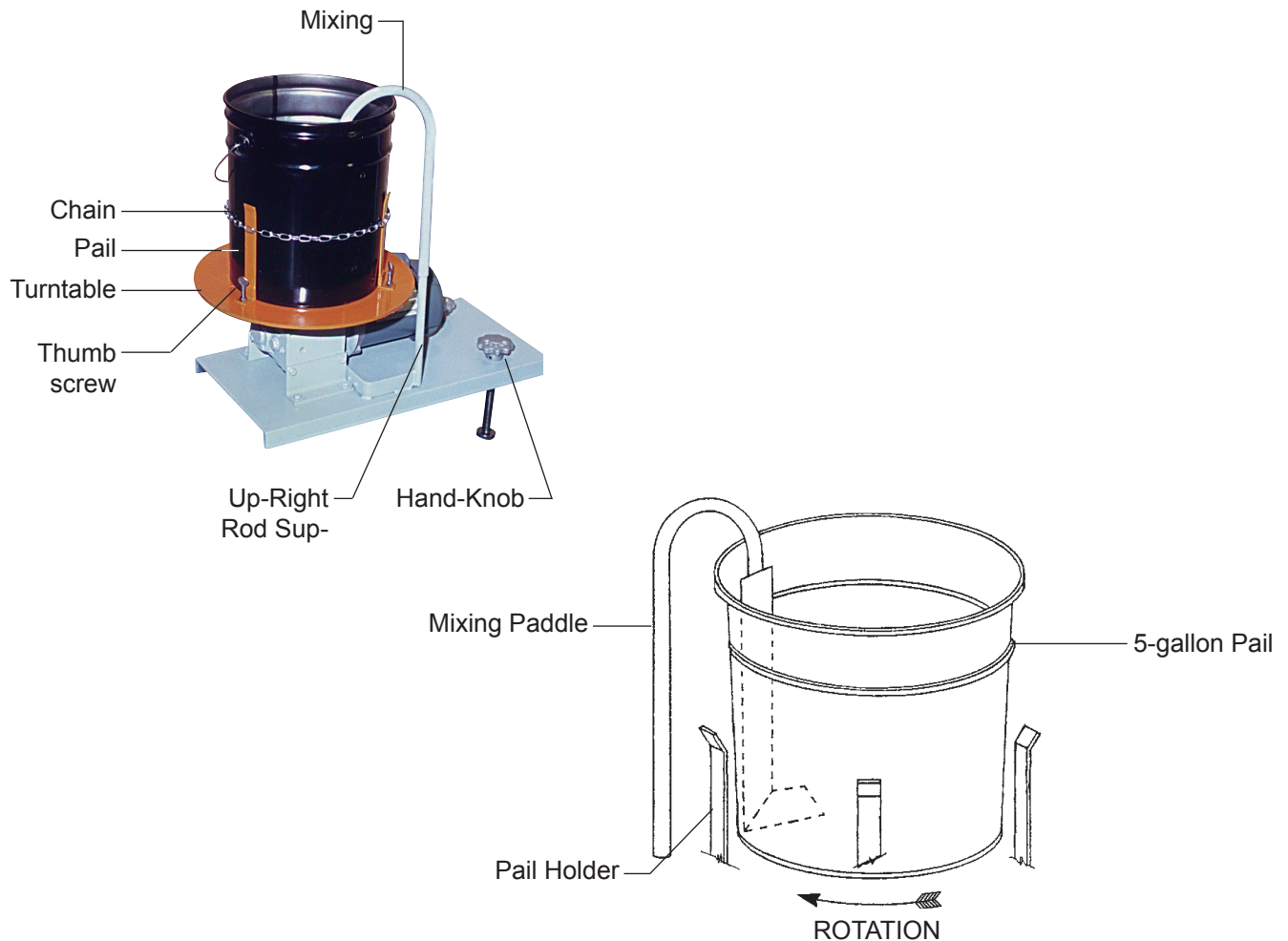
Receiving

Before removing any packing, visually inspect the exterior of the shipment for any sign of damage. Should there be any damage, bring it to the attention of the delivering UPS or truck line and note the same on the receiving ticket. Should there be damage you must place a claim with the truck line. They are the only ones who will pay for the damage done and you are the only one who can place that claim.

Operation

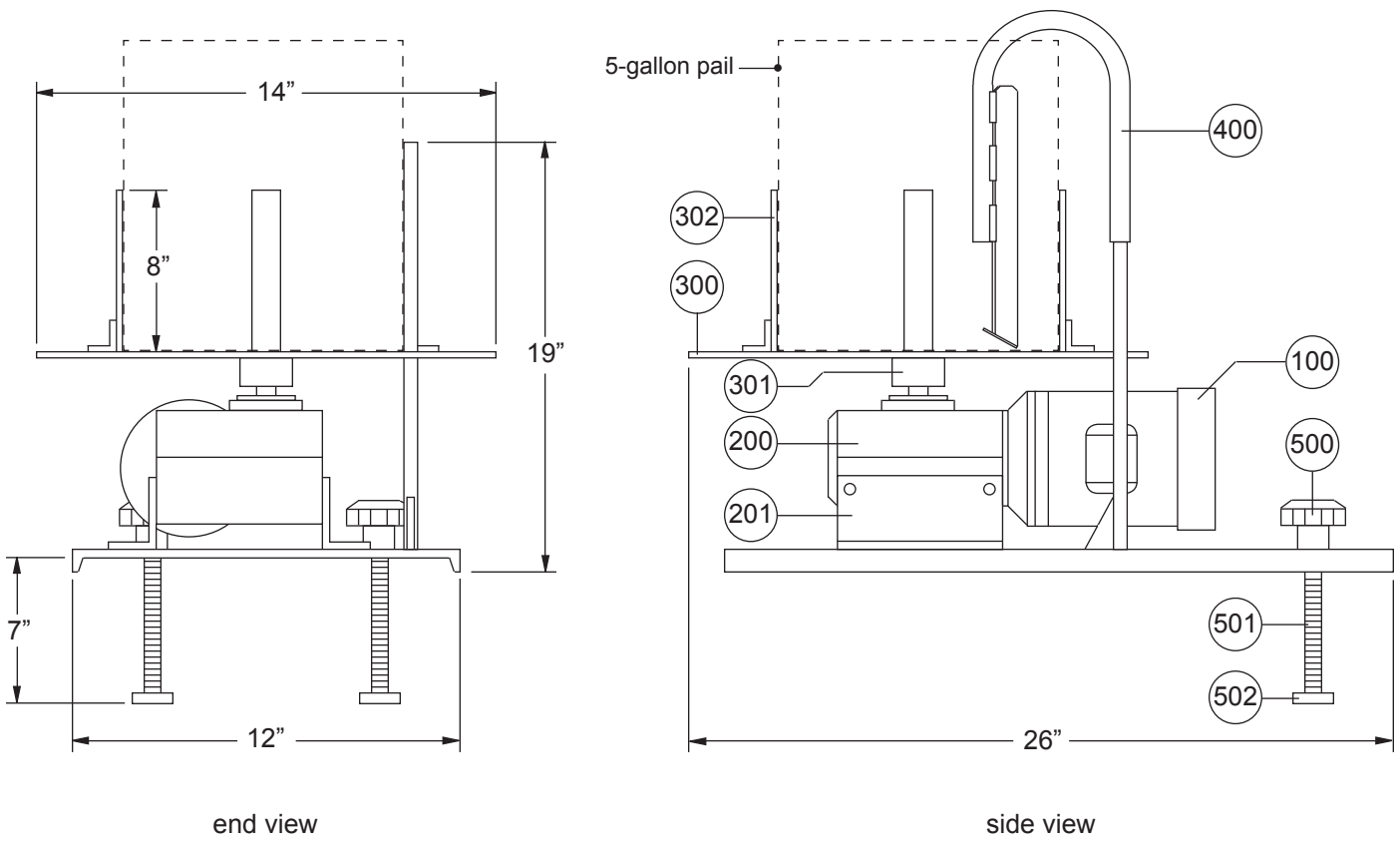
The mixer/pail rotates in a clock-wise direction during operation. (looking down into pail) The Mixing Paddle “scrap” against the inside wall and bottom of the pail causing the material to “fold” toward the center of the pail.

1. Adjust the three Pail Holders on the Turntable to fit your pail size. This is done by un-screwing the thumb-screws and moving all three Pail Holders to align with the threaded holes in the Turntable, to match your bucket. Reinstall thumb-screws and tighten.
2. Place pail on Turntable and secure with the pull action toggle Container Holder chain clamp device.
3. Place Mixing Paddle arm in the pail and slide the tube end over the up-right support rod. The Mixing Paddle should rest on the bottom of the pail.
4. Mixer is now ready to add materials to be mixed. At this point, mixer can be operated.
5. This unit has an adjustable base which allows the mixer to go from a horizontal position to an approximately 15° angle. This is done by turning the hand-knobs to the desired position. Ensure both hand-knobs are set to the same position for stability. The angle position is to be adjusted to the preference of the operator. You may need to experiment to determine the angle that best suites your application.



Parts List - M-2000

ELECTRIC MOTOR MODEL SHOWN



Parts List - M-2000 (continued)

Item	Description	Part No.	Qty.
DRIVE MOTORS			
100.	Air Motor, 3/4HP, 56C Mount (2AM-NRV-90) bi-rotational	MTR-3/4-56C-AIR	1
	Repair Kit (2AM-NRV-90)	N-K510	1
	Pipe nipple, steel - 1/4"	HDW-25-CNG	1
	Needle valve, brass - 1/4"	HDW-1/4-VALVE	1
100.	Electric Motor, 1/2 HP, 115/230-volt, 1-phase, ODP	MTR-1/2-56C-1-OPEN	1
	Cord 18/3 - 6', plug and in-line ON-OFF switch	CPG-INLINE-18/3	1
100.	Electric Motor, 1-speed, 1/2 HP, 115-volt, 1-phase, EX-PROOF	MTR-1/2-56C-FOOT-1-EP	1
100.	Electric Motor, 1/2 HP, 115/230-volt, 1-phase, TEFC	MTR-1/2-56C-1-TEFC	1
	Cord 18/3 - 6', plug and in-line ON-OFF switch	CPG-INLINE-18/3	1
100.	Electric Motor, DC-Variable Speed, 1/2 HP, 115VAC to 90VDC, TEFC	MTR-098000	1
	DC motor controller, variable speed, 115VAC to 90VDC, 1-phase	MTR-DC-CONTROL	1
	Cord 18/3 - 6' with plug	CPG-18/3	1
	Angle brackets, mounts v.s. controller to motor	MET-VSO-BRACKET	2
MIXER COMPONENTS			
200.	Gear box, right-angle, 30:1 ratio, 56C input x 3/4" output shaft	HDW-GB-M2000	1
201.	Gear box mounting feet, 3" x 2" angle x 5" long	MET-GB-M2000-FEET	2
300.	Turntable plate, 1/4" thick x 14" diameter	HDW-M2000-TURNTABLE	1
301.	Coupler, turntable to shaft	CPL-M2000	1
302.	Pail holder, consisting of the following welded items:	C-0-NI	3
	- Flat, 1/8" x 1" x 8" long	MET-HSD01-HANDLE	
	- Angle, 1" x 1" x 1" long	MET-PSE-CABLEHOOK	
303.	Pull action toggle clamp (not shown)	HDW-M2000-PAIL-CLAMP	1
304.	Bail latch hook (not shown)	HDW-MM5-BAILLATCH	2
305.	Chain, 32" (not shown)	HDW-CH-CHAIN	1
400.	Mixing Paddle, painted steel - 15" long	N-M60-PADDLE	1
400.	Mixing Paddle, painted steel - 19" long	N-M65-PADDLE	1
500.	Hand knob	HDW-HK42	2
501.	ACME threaded rod, 3/4"-6 x 8" long	HDW-ACMESCREW-8	2
502.	Swivel pad	HDW-CSP-1	2