



## MODEL

### 2AM-FCC-1

(4 Vanes, CCW Rotation)

### 2AM-FCW-13

(4 Vanes, CW Rotation)

Net wt. 7 lbs. (3,2 kg)

## FEATURES

- Foot mounting
- Any plane operation
- Metal muffler AC980 adds 2" height when installed

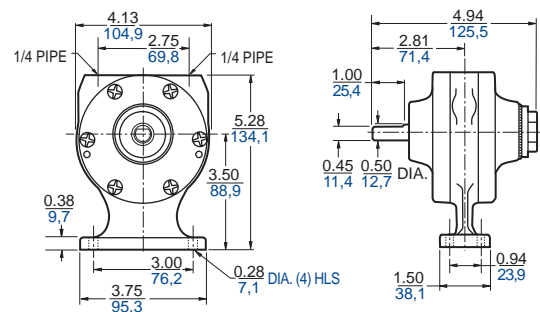
- II 2 GD c T4

## RECOMMENDED

- Filter AH103F
- Regulator AH104R
- Gauge AA806
- Lubricator AH105L
- Oil AD220 – 1 quart (.94 litres)
- Repair kit K202 (Single Rotation)



inches / mm



### 2AM-NCC-16

(4 Vanes, CCW Rotation)

### 2AM-NCW-7B

(4 Vanes, CW Rotation)

### 2AM-NRV-89

(4 Vanes, Reversible)

Net wt. 6 lbs. (2,7 kg)

## FEATURES

- Hub mounting
- Any plane operation
- Metal muffler AC980 adds 2" height when installed

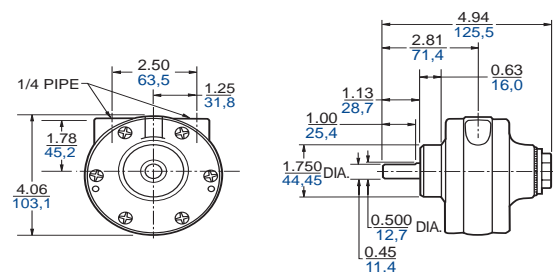
- II 2 GD c T4

## RECOMMENDED

- Filter AH103F
- Regulator AH104R
- Gauge AA806
- Lubricator AH105L
- Oil AD220 – 1 quart (.94 litres)
- Repair kit K202 (Single Rotation)
- Repair kit K509 (Reversible)



inches / mm



### 2AM-NCC-43A

(4 Vanes, CCW Rotation)

### 2AM-NRV-90

(4 Vanes, Reversible)

Net wt. 15 lbs. (6,8 kg)

## FEATURES

- NEMA 56C mounting
- Any plane operation
- Metal muffler AC980 adds 2" height when installed

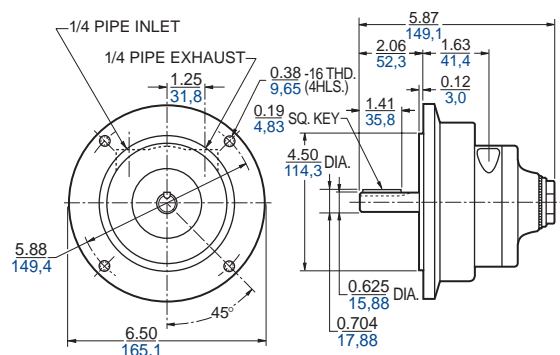
- II 2 GD c T4

## RECOMMENDED

- Filter AH103F
- Regulator AH104R
- Gauge AA806
- Lubricator AH105L
- Oil AD220 – 1 quart (.94 litres)
- Repair kit K203A (Single Rotation) • Repair kit K510 (Reversible)



inches / mm



## MODEL

### 2AM-ACC-88

(4 Vanes, CCW Rotation)  
Flange Mount

### 2AM-ACC-91

(4 Vanes, CCW Rotation)  
Face Mount

### 2AM-ARV-92

(4 Vanes, Reversible)  
Flange Mount

### 2AM-ARV-93

(4 Vanes, Reversible)  
Face Mount

## FEATURES

- IEC #72 mounting frame size:  
D71 (2AM-ACC-88, 2AM-ARV-92)  
D71C (2AM-ACC-91, 2AM-ARV-93)
- Any plane operation
- Metal muffler AC980 adds 2" height when installed

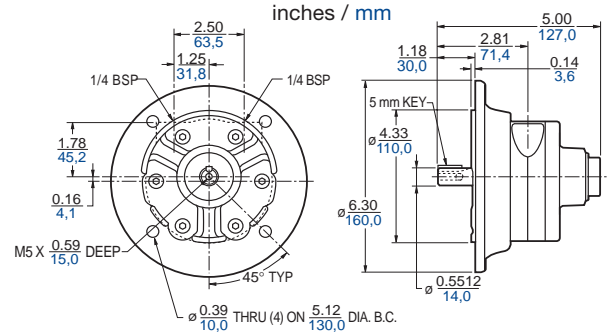
•  II 2 GD c T4

## RECOMMENDED

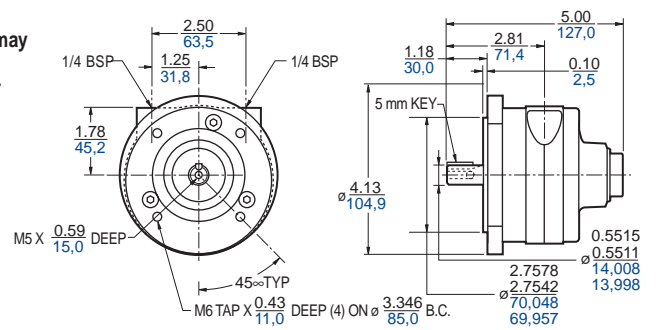
- Repair kit K203A (Single Rotation)
- Repair kit K510 (Reversible)



## Models 2AM-ACC-88/2AM-ARV-92

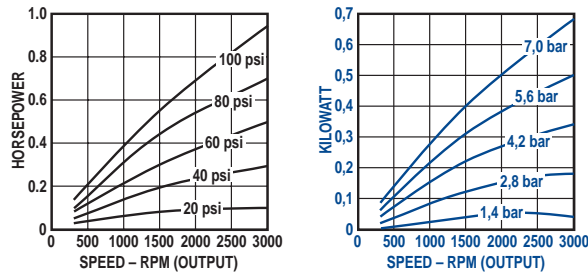


## Models 2AM-ACC-91/2AM-ARV-93

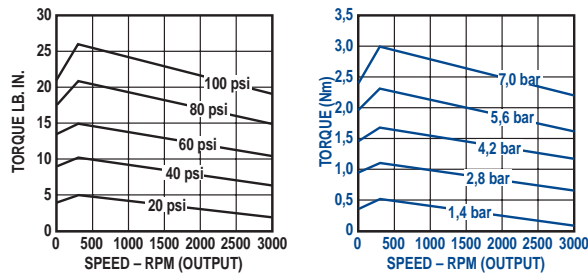


Delivers up to 0,56 kW (3/4 hp). Speeds may be varied from 300 to 3,000 rpm. Max. recommended operating pressure 7 bar (100 psi).

## Output Power vs. Speed



## Torque vs. Speed



## Air Consumption vs. Speed

