

BALDOR® • **RELIANCE**

Product Information Packet

IDNM3661T

3HP, 1750RPM, 3PH, 60HZ, 184TC, 0634M, TENV, F1

Part Detail							
Revision:	H	Status:	PRD/A	Change #:		Proprietary:	No
Type:	AC	Prod. Type:	0634M	Elec. Spec:	06WGW401	CD Diagram:	
Enclosure:	TENV	Mfg Plant:		Mech. Spec:	06F551	Layout:	
Frame:	184TC	Mounting:	F1	Poles:	04	Created Date:	
Base:	RG	Rotation:	R	Insulation:	H	Eff. Date:	10-26-2010
Leads:	9#16	Literature:		Elec. Diagram:		Replaced By:	
Nameplate NP1162L							
CAT NO	IDNM3661T						
SPEC.	06F551W401G2						
FRAME	184TC	HP	3 TE				
VOLTS	230/460						
MAG CUR	4/2	FLA	8/4				
RPM	1750	RPM MAX	6000				
HZ	60	PH	3	CLASS	H		
SER.F.	1.00	DES	B	SL HZ	1.6		
NEMA-NOM-EFF	88.5	WK2	0.319				
BLWR V		PH		HZ		A	
RATING	40C AMB-CONT						
DE BRG	6206	ODE BRG	6205				
CC		SN					

Parts List		
Part Number	Description	Quantity
SA084529	SA 06F551W401G2	1.000 EA
RA077695	RA 06F551W401G2	1.000 EA
HW3201A05	3/8-16 EYEBOLT	1.000 EA
06CB3000	CONDUIT BOX CAST	1.000 EA
06GS1000	GASKET, CONDUIT BOX	1.000 EA
51XW2520A12	.25-20 X .75, TAPTITE II, HEX WSHR SLTD	2.000 EA
11XW1032G06	10-32 X .38, TAPTITE II, HEX WSHR SLTD U	1.000 EA
HW3001B01	BRASS CUP WASHER, FOR #8 SCREW	1.000 EA
36EP1101B70	FR TENV 205 BRG W/ GRSR & THRU-SHAFT ENC	1.000 EA
HW4500A01	1641B(ALEMITE)400 UNIV, GREASE FITT	1.000 EA
HW5100A05	WVY WSHR F/205 & 304 BRGS	1.000 EA
36EP1300A01SP	PU ENDPLATE, MACH	1.000 EA
HW4500A01	1641B(ALEMITE)400 UNIV, GREASE FITT	1.000 EA
10XN2520A26	1/4-20X 1 5/8 HEX HD	4.000 EA
HW1001A25	LOCKWASHER 1/4, ZINC PLT .493 OD, .255 I	4.000 EA
HA3101A34	THRUBOLT- 1/4-20 X 10.375	4.000 EA
35FH4801G	THRU-SHAFT ENCODER COVER INV/VECTOR F1 &	1.000 EA
WD4129	1.50 X 1.50 GRAY SNAP IN PLUG PROMOULD #	2.000 EA
10XN2520A08	1/4-20X1/2 HEX HEAD CAP	4.000 EA
10XN2520A08	1/4-20X1/2 HEX HEAD CAP	1.000 EA
06CB3500	CONDUIT BOX LID - ALUMINUM DIE CAST	1.000 EA
06GS1001	GASKET, CONDUIT BOX LID	1.000 EA
51XW2520A12	.25-20 X .75, TAPTITE II, HEX WSHR SLTD	2.000 EA
HW2501E16	KEY, 1/4 SQ X 1.750	1.000 EA

Parts List (continued)		
Part Number	Description	Quantity
HA7000A02	KEY RETAINER RING, 1 1/8 DIA, 1 3/8 DIA	1.000 EA
MJ5004A05	#242-21 LOCTITE GENERAL PURPOSE MED. STR	0.005 EA
85XU0407S04	4X1/4 U DRIVE PIN STAINLESS	2.000 EA
LB1115	LABEL,LIFTING DEVICE	1.000 EA
MJ1000A75	GREASE, POLYREX EM EXXON	0.050 LB
MG1000G27	PAINT- S9282E CHARCOAL GREY	0.028 GA
LB1119	WARNING LABEL	1.000 EA
LB1125C01	STD (STOCK) CARTON LABEL BALDOR WITH FLA	1.000 EA
LC0145B01	CONNECTION LABEL	1.000 EA
NP1162L	INV, SS, UL CSA, W/O THERMAL, LASER	1.000 EA
36PA1001	PACKAGING GROUP	1.000 EA

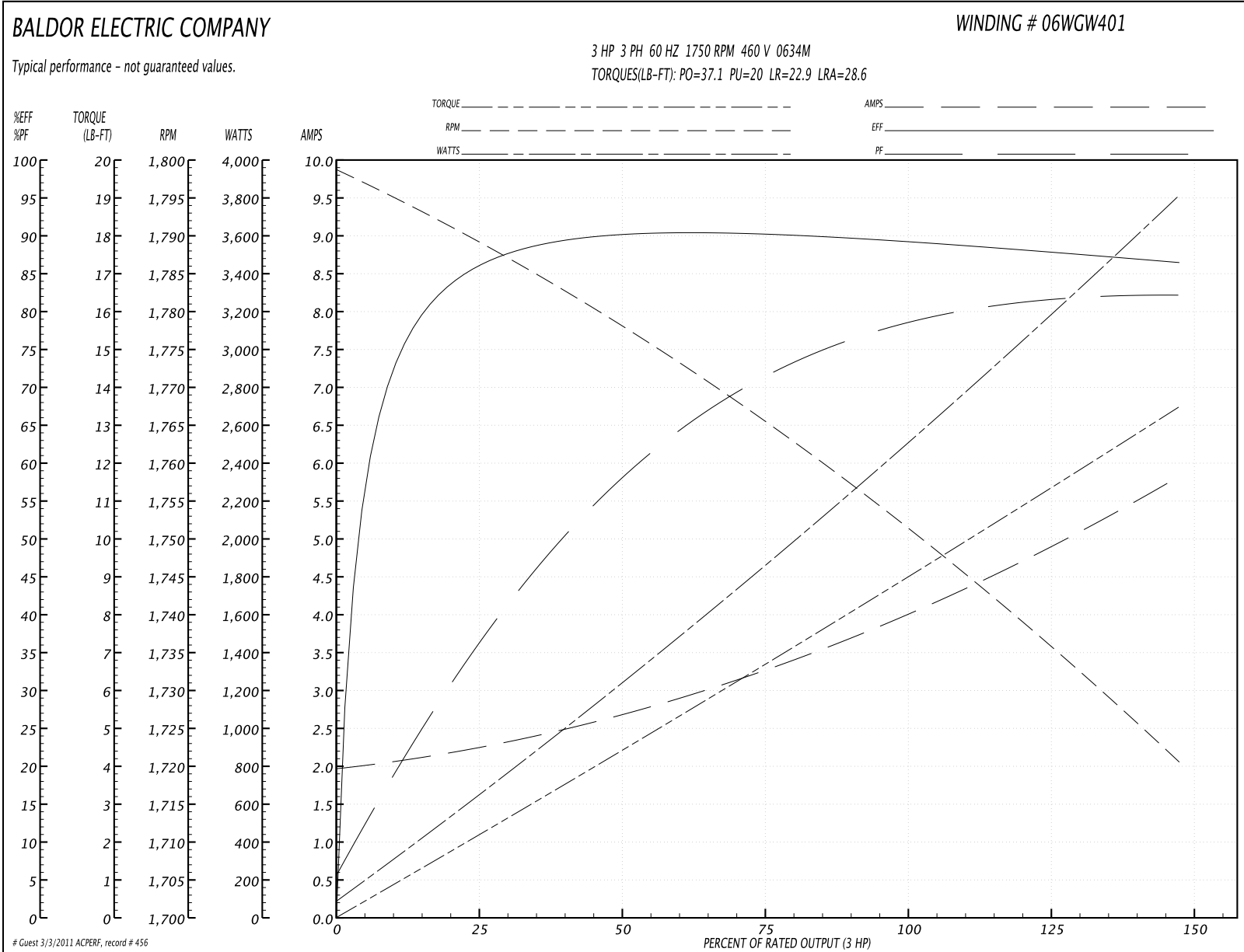
Performance Data at 460V, 60Hz, 3.0HP (Typical performance - Not guaranteed values)
General Characteristics

Full Load Torque:	9.0 LB-FT	Start Configuration:	DOL
No-Load Current:	2.0 Amps	Break-Down Torque:	37.1 LB-FT
Line-line Res. @ 25°C.:	3.87 Ohms A Ph / 0.0 Ohms B Ph	Pull-Up Torque:	20.0 LB-FT
Temp. Rise @ Rated Load:	73 C	Locked-Rotor Torque:	22.9 LB-FT
Temp. Rise @ S.F. Load:		Starting Current:	28.6 Amps

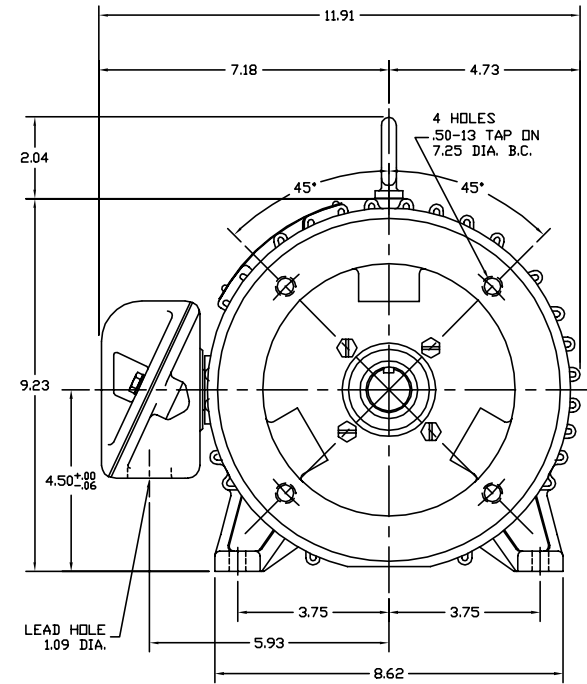
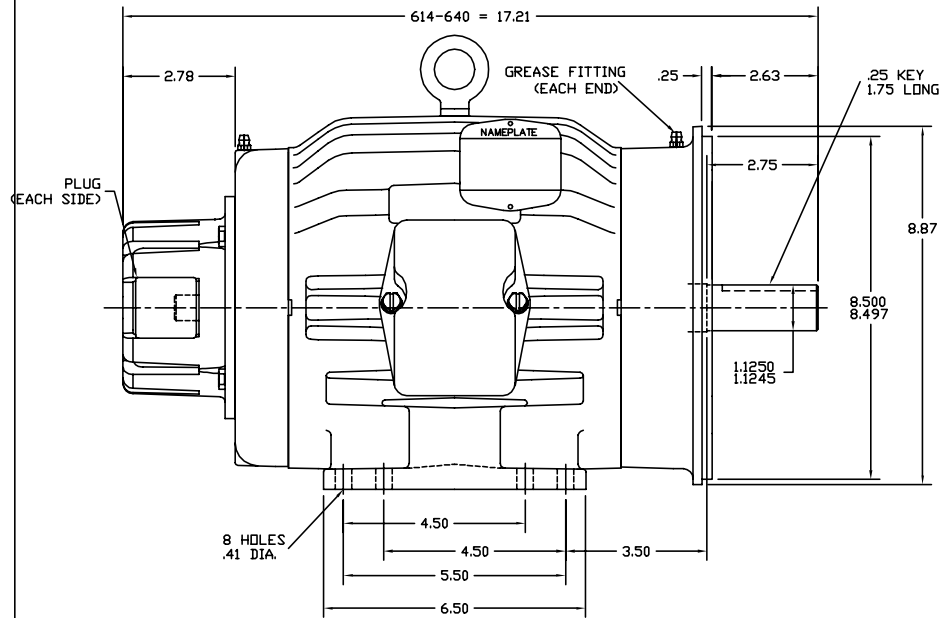
Load Characteristics

% of Rated Load	25	50	75	100	125	150	S.F.
Power Factor:	38.0	60.0	72.0	79.0	82.0	74.0	0.0
Efficiency:	85.2	89.7	90.2	89.5	88.1	86.3	0.0
Speed:	1789.0	1777.0	1765.0	1752.0	1737.0	1720.0	0.0
Line Amperes:	2.2	2.7	3.3	4.0	4.9	5.8	0.0

Performance Graph at 460V, 60Hz, 3.0HP Typical performance - Not guaranteed values



06LYF551



CUSTOMER IS RESPONSIBLE FOR DETERMINING THAT MOTOR PERFORMANCE IS SUITABLE IN THE APPLICATION.

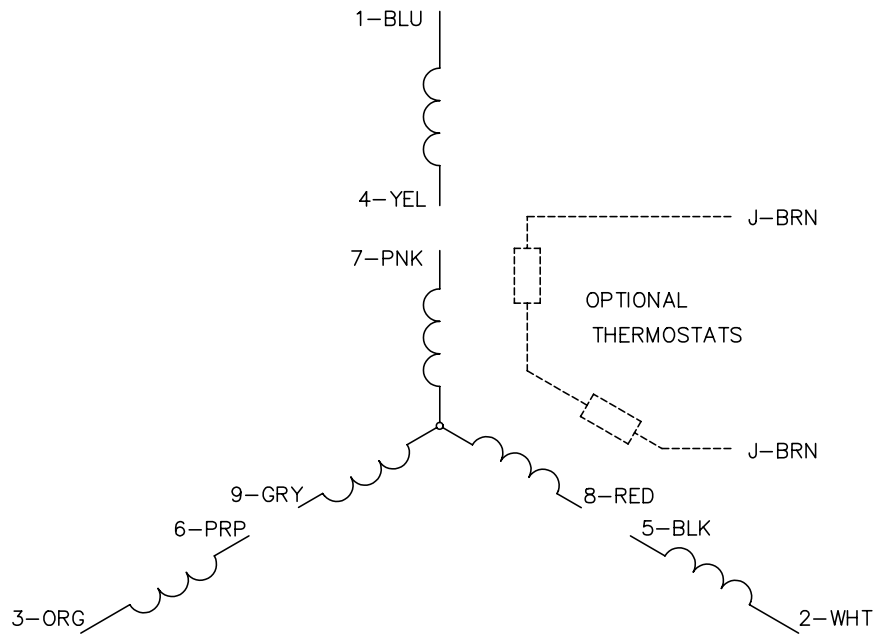
REV. DESC: ADDED PLUGS FOR INV/VEC COVER			
REV. LTR: C	BY: BGM	REVISED: 13:43:33 09/28/2002	TDR: 280837
FILE: AAA00070951		REF: 06LYF551	
MTL: -			

BALDOR ELECTRIC Co.

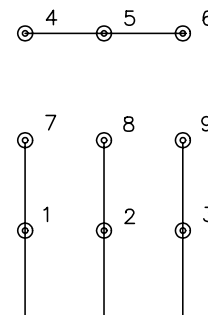
STD HORZ 182-4TC TENV INVERTER (THRU-SHAFT ENCODER)

06LYF551

CD0005

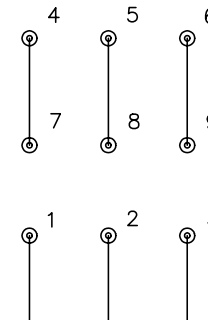


LOW VOLTAGE
(2Y)



LINE

HIGH VOLTAGE
(1Y)



LINE

NOTES:

1. INTERCHANGE ANY TWO LINE LEADS TO REVERSE ROTATION.
2. OPTIONAL THERMOSTATS ARE PROVIDED WHEN SPECIFIED.
3. ACTUAL NUMBER OF INTERNAL PARALLEL CIRCUITS MAY BE A MULTIPLE OF THOSE SHOWN ABOVE.
4. LEAD COLORS ARE OPTIONAL. LEADS MUST ALWAYS BE NUMBERED AS SHOWN.

REV. DESC: REVISE TO SHOW OPTIONAL COLORS			
REV. LTR: E	BY: JLP	REVISED: 01/19/99 10:15	TDR: 0171435
9000D		FILE: AAA00005140	MDL: -
		MTL: -	

BALDOR ELECTRIC Co.

3PH, DV, 9 LEADS

CD0005