

BALDOR® • RELIANCE

Product Information Packet

VL3514T

1.5HP, 1725RPM, 1PH, 60HZ, 145TC, 3532LC, TEFC

Part Detail							
Revision:	A	Status:	PRD/A	Change #:		Proprietary:	No
Type:	AC	Prod. Type:	3532LC	Elec. Spec:	35WGX944	CD Diagram:	
Enclosure:	TEFC	Mfg Plant:		Mech. Spec:	35EE006	Layout:	
Frame:	145TC	Mounting:	F1	Poles:	04	Created Date:	12-22-2009
Base:	N	Rotation:	R	Insulation:	B	Eff. Date:	03-02-2011
Leads:	4#16 A PH,3#18 B	Literature:		Elec. Diagram:		Replaced By:	

Nameplate NP1256L									
CAT.NO.	VL3514T								
SPEC.	35EE006X944								
HP	1.5								
VOLTS	115/230								
AMP	18/8								
RPM	1725								
FRAME	145TC	HZ			60	PH	1		
SER.F.	1.15	CODE			J	DES	L	CLASS	B
NEMA-NOM-EFF	75.5	PF			80				
RATING	40C AMB-CONT								
CC				USABLE AT 208V		8.4			
DE	6205	ODE			6203				
ENCL	TEFC	SN							

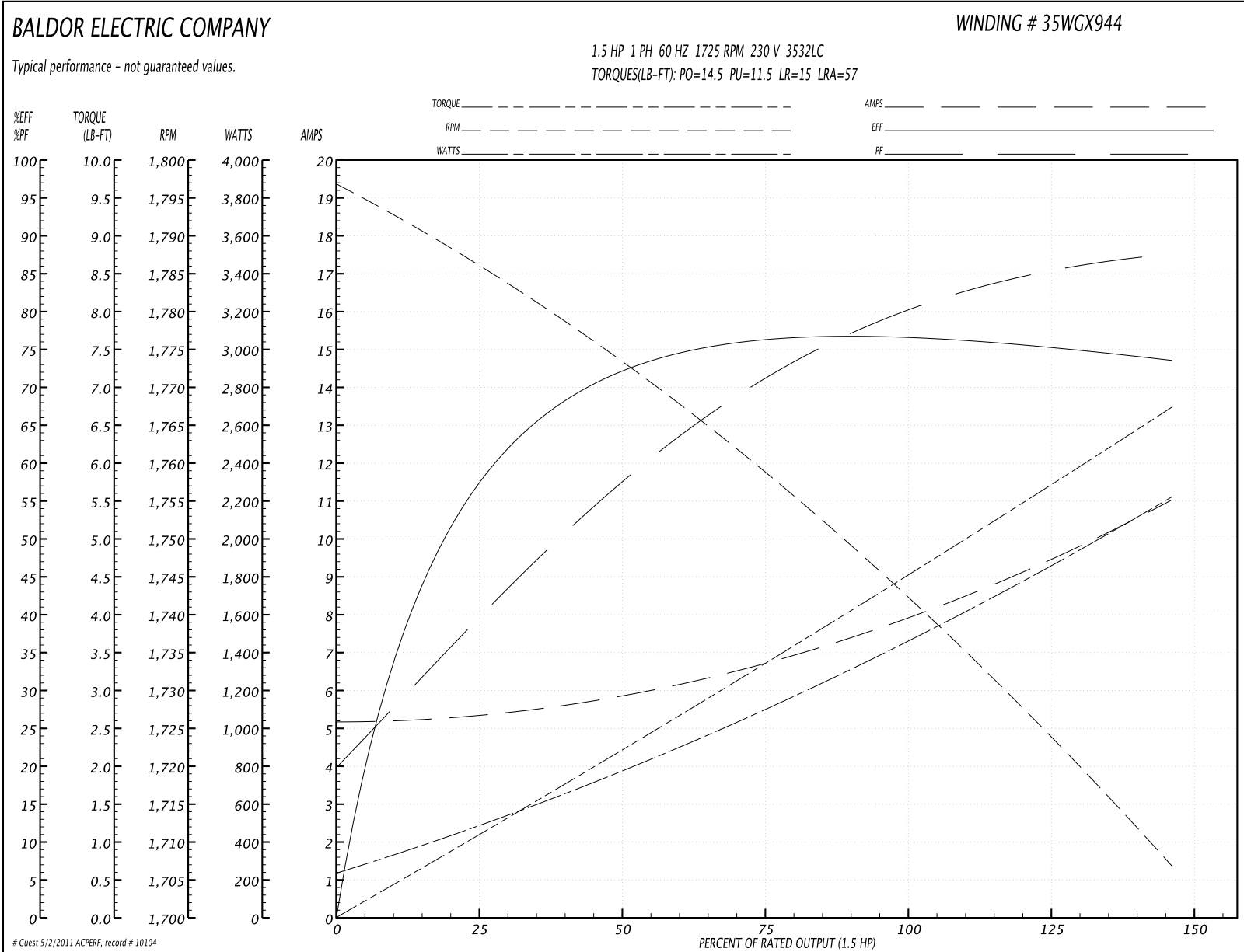
Parts List		
Part Number	Description	Quantity
SA189063	SA 35EE006X944	1.000 EA
RA176782	RA 35EE006X944	1.000 EA
OC3015F12SP	CYL OIL CAP 15MFD/370V	1.000 EA
EC1645A06SP	ELEC CAP, 645-774 MFD, 125V, 2.06D X 4.	1.000 EA
NS2512A01	INSULATOR, CONDUIT BOX X	1.000 EA
35CB3009	35 CB CASTING W/1.09 DIA. LEAD HOLE @ 6:	1.000 EA
36GS1000SP	GASKET-CONDUIT BOX, .06 THICK #SV-330 LE	1.000 EA
51XB1016A07	10-16 X 7/16 HXWSSLD SERTYB	2.000 EA
11XW1032G06	10-32 X .38, TAPTITE II, HEX WSHR SLTD U	1.000 EA
35EP3100M01	FREP TEFC 203 BRG W/GRSR (RAISED FH PADS	1.000 EA
HW4500A01	1641B(ALEMITE)400 UNIV, GREASE FITT	1.000 EA
51XW0832A07	8-32 X .44, TAPTITE II, HEX WSHR SLTD SE	2.000 EA
35CB3801SP	CAPACITOR COVER, CAST	1.000 EA
34GS3002	GASKET, CAPACITOR BOX	1.000 EA
HA7010	CAPACITOR RETENTION CLAMP	1.000 EA
NS2501A02	INSULATOR, CAPACITOR BOX	1.000 EA
51XB1016A08	10-16X 1/2HXWSSLD SERTYB	2.000 EA
HW5100A03SP	WAVY WASHER (W1543-017)	1.000 EA
35EP3300A46	SPL FACE MTD EP-ENCL-145TC-205 BRG	1.000 EA
HW4500A01	1641B(ALEMITE)400 UNIV, GREASE FITT	1.000 EA
51XN1032A20	10-32 X 1 1/4 HX WS SL SR	2.000 EA
51XB1214A16	12-14X1.00 HXWSSLD SERTYB	1.000 EA
35FH4005A84SP	IEC FH W/GRSR, NO DIMPLES W/AUTOPHERETIC	1.000 EA
51XW1032A06	10-32 X .38, TAPTITE II, HEX WSHR SLTD S	3.000 EA

Parts List (continued)		
Part Number	Description	Quantity
35CB4521	35 LIPPED CB LID (GALV & PHOSPH)	1.000 EA
35GS1030	35 GS FOR CB LID - LEXIDE	1.000 EA
51XW0832A07	8-32 X .44, TAPTITE II, HEX WSHR SLTD SE	4.000 EA
HW2501D13SP	KEY, 3/16 SQ X 1.375	1.000 EA
HA7000A01	KEY RETAINER 7/8" DIA SHAFT	1.000 EA
85XU0407S04	4X1/4 U DRIVE PIN STAINLESS	2.000 EA
MJ1000A75	GREASE, POLYREX EM EXXON	0.050 LB
35FN3002A05SP	EXFN, PLASTIC, 6.376 OD, .638 ID	1.000 EA
MG1000G27	PAINT- S9282E CHARCOAL GREY 55 GALLONS	0.017 GA
WD1000A15	3-520132-2 AMP FLAG (4M/RL NON-CANC/NON-	4.000 EA
HA3100A18	THRUBOLT 10-32 X 9.250	4.000 EA
SP5056A61	MODEL 35 LC STATIONARY SWITCH LEAD ASSY	1.000 EA
LB1119	WARNING LABEL	1.000 EA
LB1125C01	STD (STOCK) CARTON LABEL BALDOR WITH FLA	1.000 EA
LC0016	CONNECTION LABEL	1.000 EA
NP1256L	ALUM, UL CSA CC, W/O THERMAL, LASER	1.000 EA
35PA1066	PACKING GROUP COMBINED PRINT	1.000 EA
PK3082	STYROFOAM CRADLE	1.000 EA

Performance Data at 230V, 60Hz, 1.5HP (Typical performance - Not guaranteed values)

General Characteristics							
Full Load Torque:	4.5 LB-FT			Start Configuration:	DOL		
No-Load Current:	5.2 Amps			Break-Down Torque:	14.5 LB-FT		
Line-line Res. @ 25°C.:	1.41 Ohms A Ph / 1.18 Ohms B Ph			Pull-Up Torque:	11.5 LB-FT		
Temp. Rise @ Rated Load:	76 C			Locked-Rotor Torque:	15.0 LB-FT		
Temp. Rise @ S.F. Load:	90 C			Starting Current:	57.0 Amps		
Load Characteristics							
% of Rated Load	25	50	75	100	125	150	S.F.
Power Factor:	42.0	59.0	72.0	80.0	85.0	88.0	83.0
Efficiency:	59.1	71.6	76.1	76.6	75.7	73.4	76.1
Speed:	1784.0	1773.0	1759.0	1743.0	1726.0	1706.0	1733.0
Line Amperes:	5.3	5.9	6.7	7.9	9.4	11.0	8.8

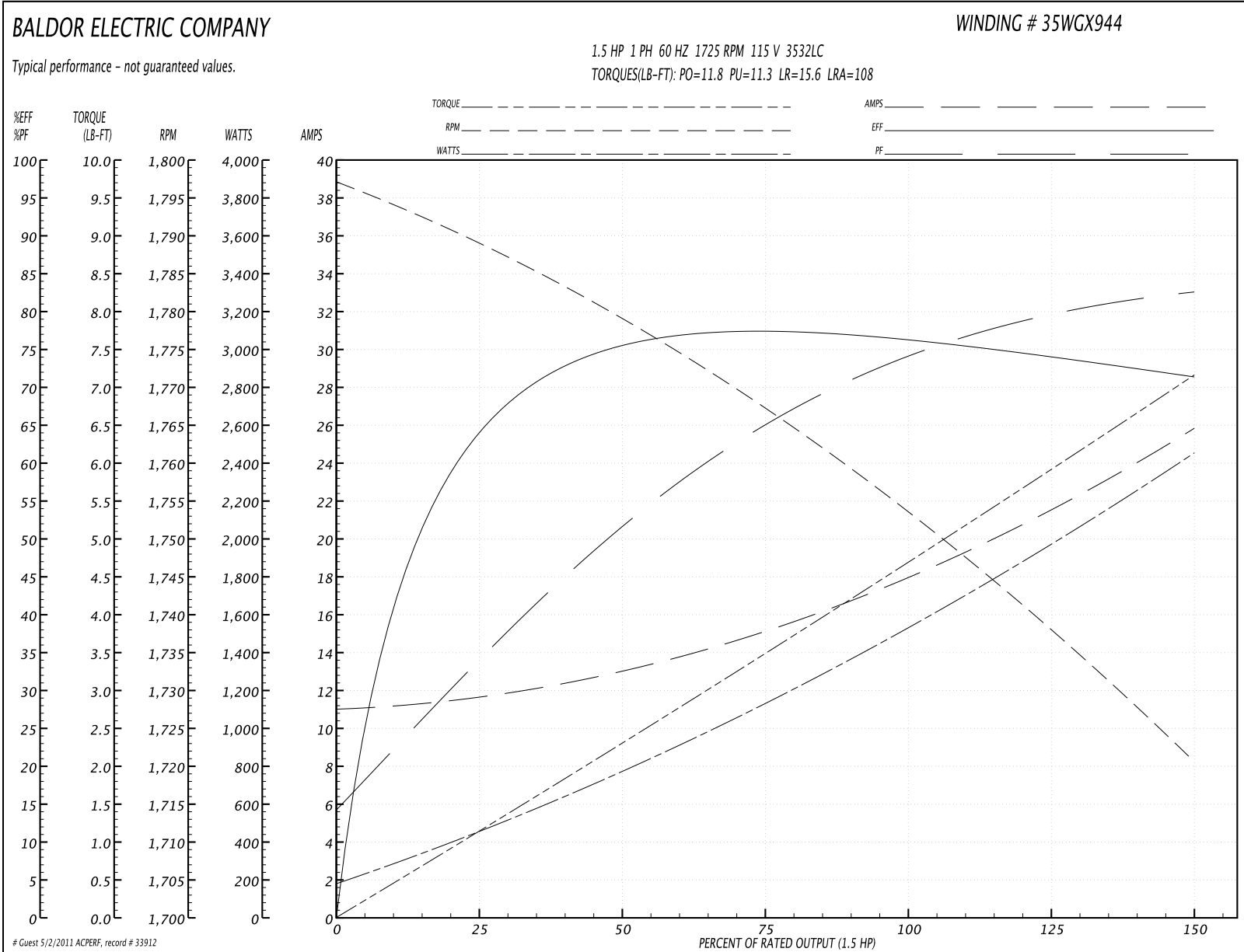
Performance Graph at 230V, 60Hz, 1.5HP Typical performance - Not guaranteed values

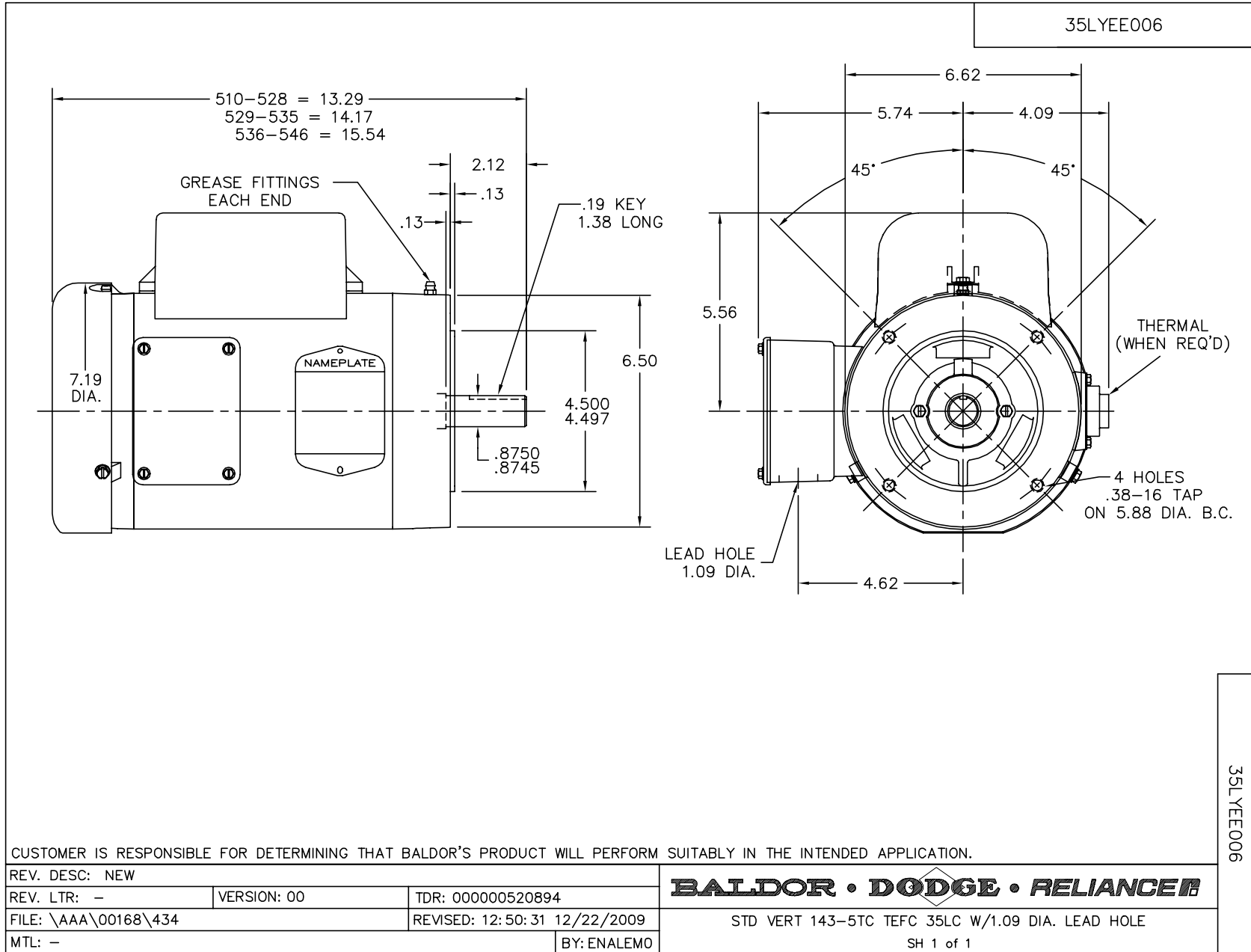


Performance Data at 115V, 60Hz, 1.5HP (Typical performance - Not guaranteed values)

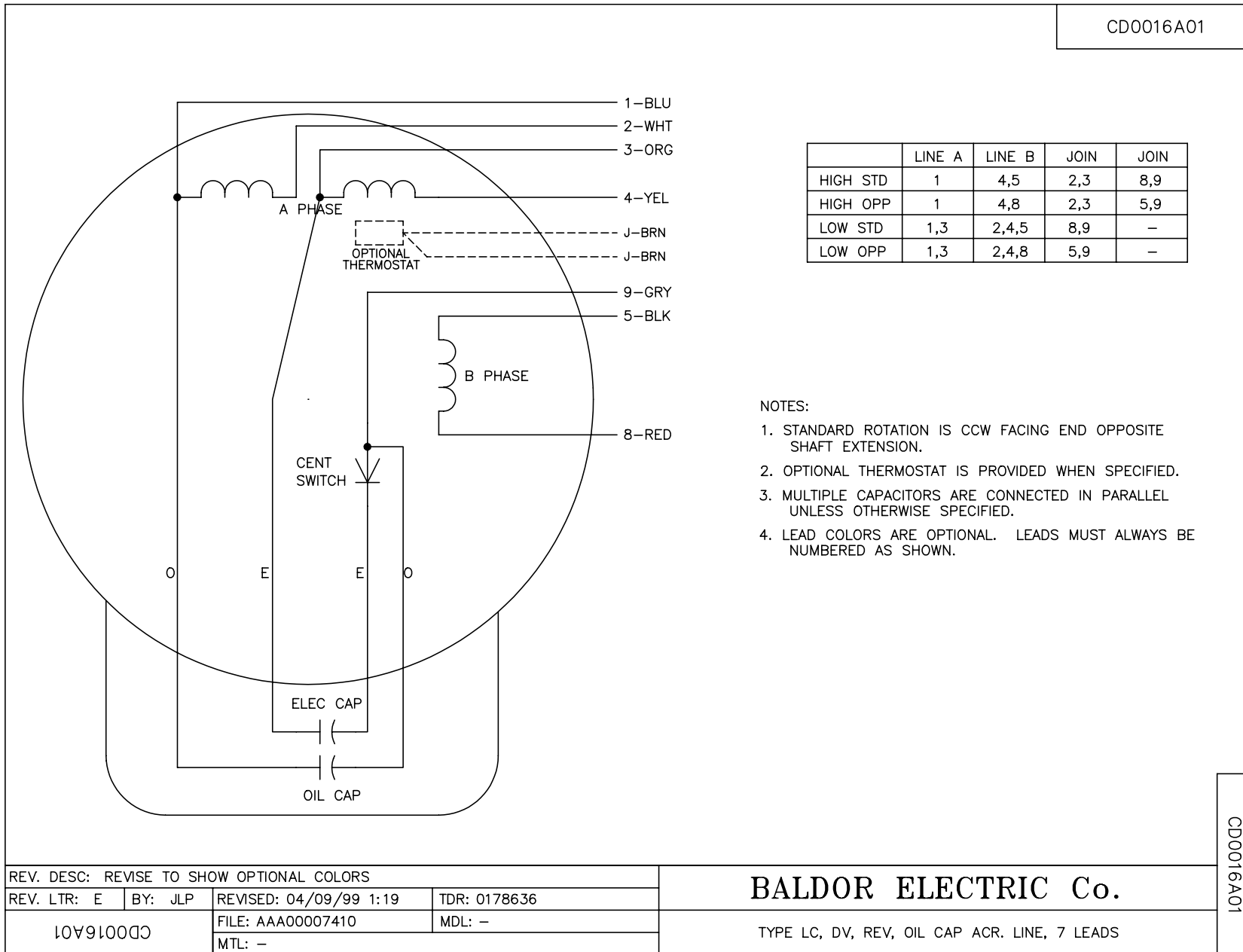
General Characteristics							
Full Load Torque:	4.68 LB-FT			Start Configuration:	DOL		
No-Load Current:	11.0 Amps			Break-Down Torque:	11.8 LB-FT		
Line-line Res. @ 25°C.:	1.4399 Ohms A Ph / 1.1179 Ohms B Ph			Pull-Up Torque:	11.3 LB-FT		
Temp. Rise @ Rated Load:				Locked-Rotor Torque:	15.6 LB-FT		
Temp. Rise @ S.F. Load:				Starting Current:	108.0 Amps		
Load Characteristics							
% of Rated Load	25	50	75	100	125	150	S.F.
Power Factor:	33.0	52.0	63.0	74.0	79.0	83.0	77.0
Efficiency:	63.0	74.9	76.7	76.8	75.0	71.1	75.7
Speed:	1789.3	1778.9	1768.9	1754.5	1740.6	1720.2	1746.0
Line Amperes:	11.6	13.0	14.8	17.9	20.9	25.9	19.7

Performance Graph at 115V, 60Hz, 1.5HP Typical performance - Not guaranteed values





CDO016A01



	LINE A	LINE B	JOIN	JOIN
HIGH STD	1	4,5	2,3	8,9
HIGH OPP	1	4,8	2,3	5,9
LOW STD	1,3	2,4,5	8,9	-
LOW OPP	1,3	2,4,8	5,9	-

NOTES:

1. STANDARD ROTATION IS CCW FACING END OPPOSITE SHAFT EXTENSION.
2. OPTIONAL THERMOSTAT IS PROVIDED WHEN SPECIFIED.
3. MULTIPLE CAPACITORS ARE CONNECTED IN PARALLEL UNLESS OTHERWISE SPECIFIED.
4. LEAD COLORS ARE OPTIONAL. LEADS MUST ALWAYS BE NUMBERED AS SHOWN.

REV. DESC: REVISE TO SHOW OPTIONAL COLORS			
REV. LTR: E	BY: JLP	REVISED: 04/09/99 1:19	TDR: 0178636
10V91000		FILE: AAA00007410	MDL: -
CDO016A01		MTL: -	

BALDOR ELECTRIC Co.

TYPE LC, DV, REV, OIL CAP ACR. LINE, 7 LEADS

CDO016A01