

BALDOR® • *RELIANCE*

Product Information Packet

CDPWD3440

.75HP, 1750RPM, DC, 56C, 3428P, TEFC, F1

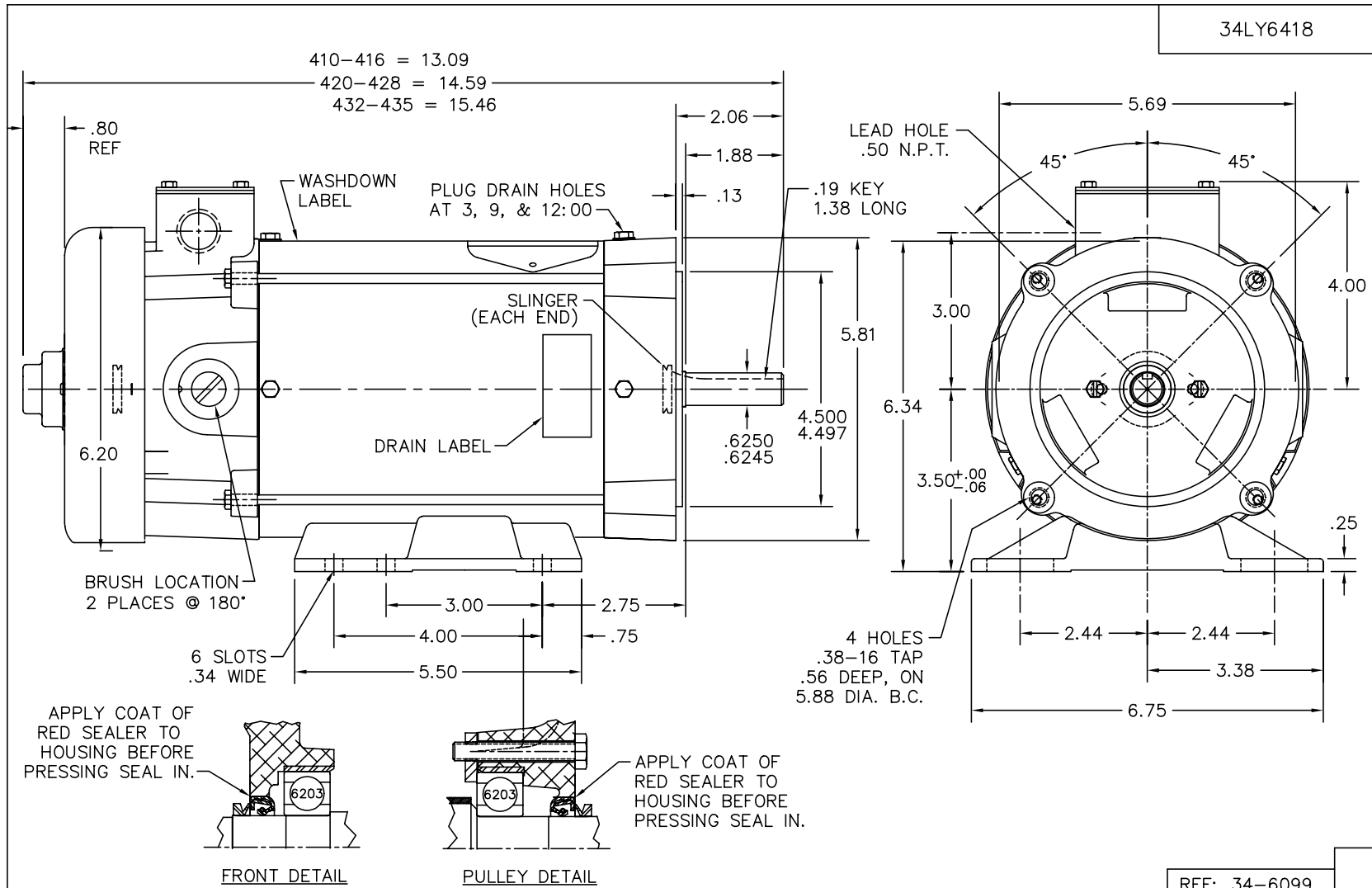
Part Detail							
Revision:	Z	Status:	PRD/A	Change #:		Proprietary:	No
Type:	DC	Prod. Type:		Elec. Spec:	34WG3662	CD Diagram:	
Enclosure:	TEFC	Mfg Plant:		Mech. Spec:	34-6418	Layout:	
Frame:	56C	Mounting:	F1	Poles:	///	Created Date:	
Base:	RG	Rotation:	R	Insulation:	F	Eff. Date:	02-24-2011
Field Type:		Literature:		Elec. Diagram:		Replaced By:	

Nameplate NP1509

CAT.NO.	CDPWD3440						
SPEC.	34-6418-3662						
HP	.75	ENCL			TEFC		
RPM	1750						
FRAME	56C	TYPE			3428P		
ARM V	90	ARM A			7.6		
FLD V		FLD A					
INSUL	F	AMB.			40		
DUTY	CONT	SUPPLY			1.5		
BRG/DE	6203	BRG/ODE			6203		
BRUSHES	2/BP5000BK08						
		BLANK					
SER.							
BLANK							
APRV-CSA		APRV-UL				APRV-CE	

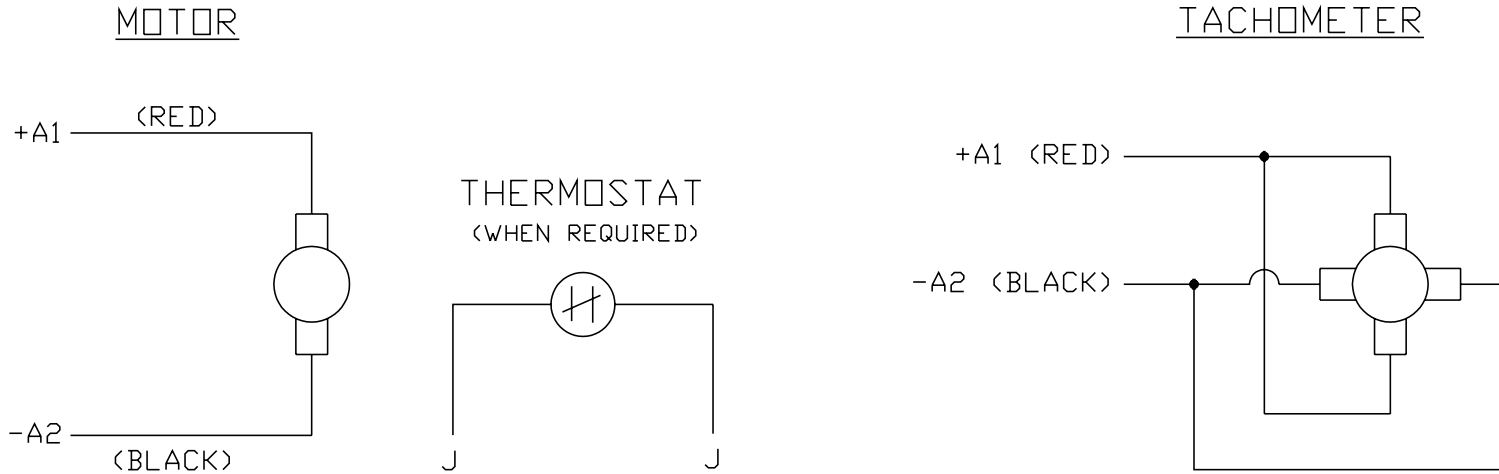
Parts List		
Part Number	Description	Quantity
SA005384	SA 34-6418-3662	1.000 EA
AA003033	AA 34-6418-3662	1.000 EA
BP5000BK08SP	CARBON BRUSH - GRADE SA-35	1.000 EA
HA3210B66	.125 DIA X .281 (AUTO)	2.000 EA
11XW1032G06	10-32 X .38, TAPTITE II, HEX WSHR SLTD U	1.000 EA
HW3001B01	003SS CUP WASHER, FOR #8 SCREW	1.000 EA
34EP3103B50W	FR EP MACH 34PM TEFC W/NPT LH, SPL DRN L	1.000 EA
51XB1016A06	10-16X3/8 HXWSSLD SERTYB	3.000 EA
WD4100A17	PLUG STIMPSON D4036	1.000 EA
HW5100A03SP	WAVY WASHER (W1543-017)	1.000 EA
34EP3300A41W	PU ENDPLATE 56C 34-ENCL FOR WASHDOWN DC	1.000 EA
19XA1016S06	10-16X 3/8" TYPE AB SS X	3.000 EA
11XN1032S22	10-32 X 1-3/8 HEX WASHER HEAD, SLOTTED	2.000 EA
BP5201A17	BRUSH HOLDER - WITHOUT CAP & CONN.	2.000 EA
80XN1032A03	10-32 X 3/16 SET SCREW	2.000 EA
34FN3002A01SP	EXTERNAL FAN, PLASTIC, .637/.639 HUB W/	1.000 EA
34FH5002A01SP	FAN COVER ASSY W/SHAFT COVER	1.000 EA
11XW1032S06	10-32 X .38, TAPTITE II, HEX WSHR SLTD U	3.000 EA
34CB4504W	CON.BOX LID W/WHITE POWDER COAT	1.000 EA
34GS1011A03	GASKET, CONDUIT BOX LID (.062 WHITE)	1.000 EA
11XT0832S07	08-32 X 7/16 HX SL WS HD, 304 STAINLESS	2.000 EA
HW4600B39SP	SEAL 0.550 X .790 X .180 FACE SEALING	1.000 EA
HW4600B39SP	SEAL 0.550 X .790 X .180 FACE SEALING	1.000 EA
LB1164	LABEL,WARNING AND DRAIN	1.000 EA

Parts List (continued)		
Part Number	Description	Quantity
HW2502D13	SS KEY, 3/16 SQ X 1.375	1.000 EA
HA7000A04	KEY RETAINER 0.625 DIA SHAFTS	1.000 EA
BP4543A01	BRUSH HOLDER CAP, AE-74-SO W/O'RING	2.000 EA
BP3000A02SP	AMP LEAD CLIP #60812-2 SPL	1.000 EA
HW4600A54	SEAL 0.668 X 1.064 X 0.250 DOUBLE SHIELD	1.000 EA
HW4600A54	SEAL 0.668 X 1.064 X 0.250 DOUBLE SHIELD	1.000 EA
WD4102A01	SR-6L-1 HEYCO STRN RELIEF OR 23MPO6L10 M	1.000 EA
MG1025W01	PAINT- 781-01 WILKOFASST WHITE EPOXY	0.014 GA
MJ5001A01	46-665 RED SEALER	0.001 QT
MJ5004A05	#242-21 LOCTITE GENERAL PURPOSE MED. STR	0.001 EA
10XF0440S02	04-40 X 1/8 TYPE F HEX HD STAINLESS STIC	2.000 EA
ML1424B14	UL3321,150C,14 GA,BLACK, #A1	8.500 IN
ML1425B14	UL3321,150C,14 GA,BLACK, #A2	8.500 IN
HA3100S12	THRUBOLT 7.625 LENGTH 1.250 TH LENGTH SS	4.000 EA
LB1125C01	STD (STOCK) CARTON LABEL BALDOR WITH FLA	1.000 EA
LC0194	CONNECTION LABEL FOR TYPE PM-DC MOTOR W/	1.000 EA
LB5040	INSTRUCTION TAG, AC & DC	1.000 EA
NP1509	DC, WD, UL CE CSA, W/O THERMAL	1.000 EA
27PA1001	PACKAGING GROUP	1.000 EA



CUST. NAME		CUST. P.O.		CERTIFIED BY		MODEL		INSUL		AMB		REF: 34-6099
H.P.	MTG	TYPE	R.P.M.	VOLTS	ENCL	PHASE	FREQ	FRAME				34LY6418
REV. DESC: OMIT "EA. SIDE" FROM DRAIN LABEL												
REV. LTR: G	BY: YD	REVISED: 06/19/00 11:26			TDR: 0212812							
34LY6418		FILE: AAA00022476			MDL: -							
		MTL: AAA00022476			STD HORZ 34PM NEMA 56C TEFC S/P#9 WASHDOWN W/MFTK							

CD0194



NOTES:

1. CCW ROTATION AS SHOWN FACING COMMUTATOR END. TO REVERSE MOTOR ROTATION OR TACHOMETER OUTPUT POLARITY INTERCHANGE LEADS A1(RED) & A2(BLACK)
2. LEAD COLORS FOR REFERENCE ONLY & NOT SPECIFIED BY THIS DRAWING. LEAD COLORS SPECIFIED BY LAYOUT DRAWING & BILL OF MATERIAL ONLY.

MATL: -			
REV: E	ADDED NOTE "LEAD COLORS FOR REFERENCE ONLY &..."		
761000	SCALE: -	BY: CK	REVISED: 07/28/95
	FILE: AAA00004503		TDR: 0078737

BALDOR ELECTRIC Co.

CD TYPE P DC PERMANENT MAGNET MOTORS AND TACHOMETERS

CD0194