

BALDOR® • RELIANCE

Product Information Packet

VM3546

1HP,1725RPM,3PH,60HZ,56C,3426M,TEFC,F1,N

Part Detail							
Revision:	R	Status:	PRD/A	Change #:		Proprietary:	No
Type:	AC	Prod. Type:	3426M	Elec. Spec:	34WGX269	CD Diagram:	
Enclosure:	TEFC	Mfg Plant:		Mech. Spec:	34G794	Layout:	
Frame:	56C	Mounting:	F1	Poles:	04	Created Date:	
Base:	N	Rotation:	R	Insulation:	B	Eff. Date:	10-15-2010
Leads:	9#18	Literature:		Elec. Diagram:		Replaced By:	

Nameplate NP1256L

CAT.NO.	VM3546						
SPEC.	34G794X269						
HP	1						
VOLTS	208-230/460						
AMP	3.7-3.4/1.7						
RPM	1725						
FRAME	56C	HZ	60	PH	3		
SER.F.	1.15	CODE	M	DES	B	CLASS	B
NEMA-NOM-EFF	78.5	PF	71				
RATING	40C AMB-CONT						
CC		USABLE AT 208V	3.7				
DE	6203	ODE	6203				
ENCL	TEFC	SN					

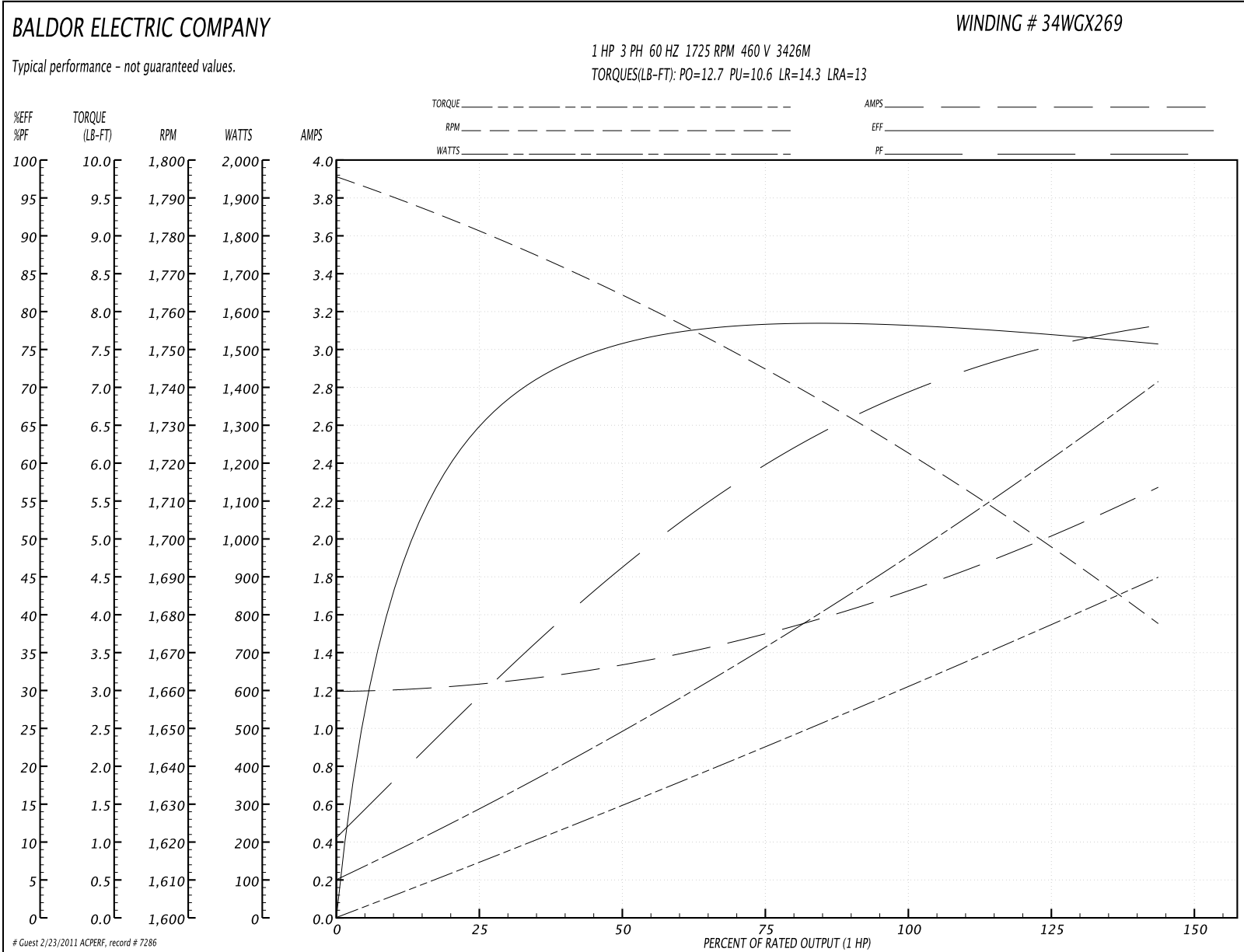
Parts List		
Part Number	Description	Quantity
SA009415	SA 34G794X269	1.000 EA
RA005737	RA 34G794X269	1.000 EA
NS2512A01	INSULATOR, CONDUIT BOX X	1.000 EA
34CB3002A	CB CAST W/.88 DIA HOLE	1.000 EA
34GS1029A01	GASKET, CONDUIT BOX	1.000 EA
51XB1016A07	10-16 X 7/16 HXWSSLD SERTYB	2.000 EA
11XW1032G06	10-32 X .38, TAPTITE II, HEX WSHR SLTD U	1.000 EA
34EP3102A01SP	FR ENDPLATE, MACH	1.000 EA
HW5100A03SP	WAVY WASHER (W1543-017)	1.000 EA
34EP3300A24SP	PU ENDPLATE, MACH	1.000 EA
51XN1032A20	10-32 X 1 1/4 HX WS SL SR	2.000 EA
34FN3002A01SP	EXTERNAL FAN, PLASTIC, .637/.639 HUB W/	1.000 EA
34FH4002A01SP	IEC FH NO GREASER	1.000 EA
51XW1032A06	10-32 X .38, TAPTITE II, HEX WSHR SLTD S	3.000 EA
34CB4517	CB LID 4 MTG HOLES .22 DIA STAMPED, FOR	1.000 EA
34GS1031A01	GASKET, FLAT CONDUIT BOX LID (LEXIDE)	1.000 EA
51XW0832A07	8-32 X .44, TAPTITE II, HEX WSHR SLTD SE	4.000 EA
HW2501D13SP	KEY, 3/16 SQ X 1.375	1.000 EA
HA7000A04	KEY RETAINER 0.625 DIA SHAFTS	1.000 EA
MG1000G27	PAINT- S9282E CHARCOAL GREY	0.014 GA
10XF0440S02	04-40 X 1/8 TYPE F HEX HD STAINLESS STIC	2.000 EA
HA3100A44	THRUBOLT 10-32 X 8.000	4.000 EA
LB5040	INSTRUCTION TAG, AC & DC	1.000 EA
LB1125C01	STD (STOCK) CARTON LABEL BALDOR WITH FLA	1.000 EA

Parts List (continued)		
Part Number	Description	Quantity
LC0005E01	CONN.DIA./WARNING LABEL (LC0005/LB1119)	1.000 EA
NP1256L	ALUM, UL CSA CC, W/O THERMAL, LASER	1.000 EA
PK3083T	STYROFOAM PACKING CRADLE W/TAPE	1.000 EA
34PA1005	PACKING GROUP, BALDOR	1.000 EA

Performance Data at 460V, 60Hz, 1.0HP (Typical performance - Not guaranteed values)

General Characteristics							
Full Load Torque:	3.0 LB-FT			Start Configuration:	DOL		
No-Load Current:	1.2 Amps			Break-Down Torque:	12.7 LB-FT		
Line-line Res. @ 25°C.:	13.2 Ohms A Ph / 0.0 Ohms B Ph			Pull-Up Torque:	10.6 LB-FT		
Temp. Rise @ Rated Load:	79 C			Locked-Rotor Torque:	14.3 LB-FT		
Temp. Rise @ S.F. Load:	94 C			Starting Current:	13.0 Amps		
Load Characteristics							
% of Rated Load	25	50	75	100	125	150	S.F.
Power Factor:	30.0	47.0	60.0	68.0	75.0	79.0	72.0
Efficiency:	63.9	75.5	78.3	78.6	77.4	75.5	77.9
Speed:	1781.0	1763.0	1745.0	1725.0	1702.0	1677.0	1711.0
Line Amperes:	1.23	1.33	1.5	1.72	1.97	2.27	1.87

Performance Graph at 460V, 60Hz, 1.0HP Typical performance - Not guaranteed values



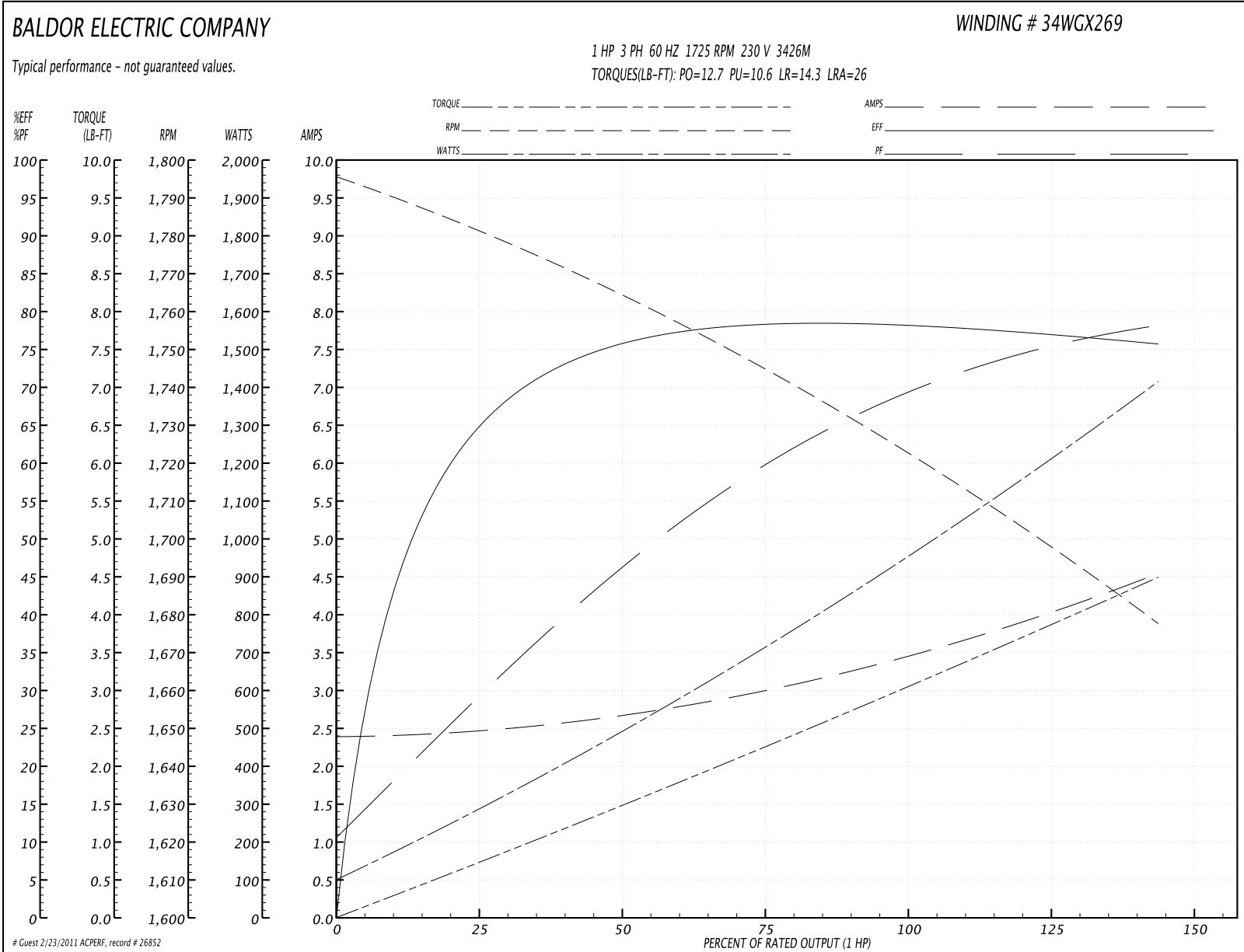
Performance Data at 230V, 60Hz, 1.0HP (Typical performance - Not guaranteed values)
General Characteristics

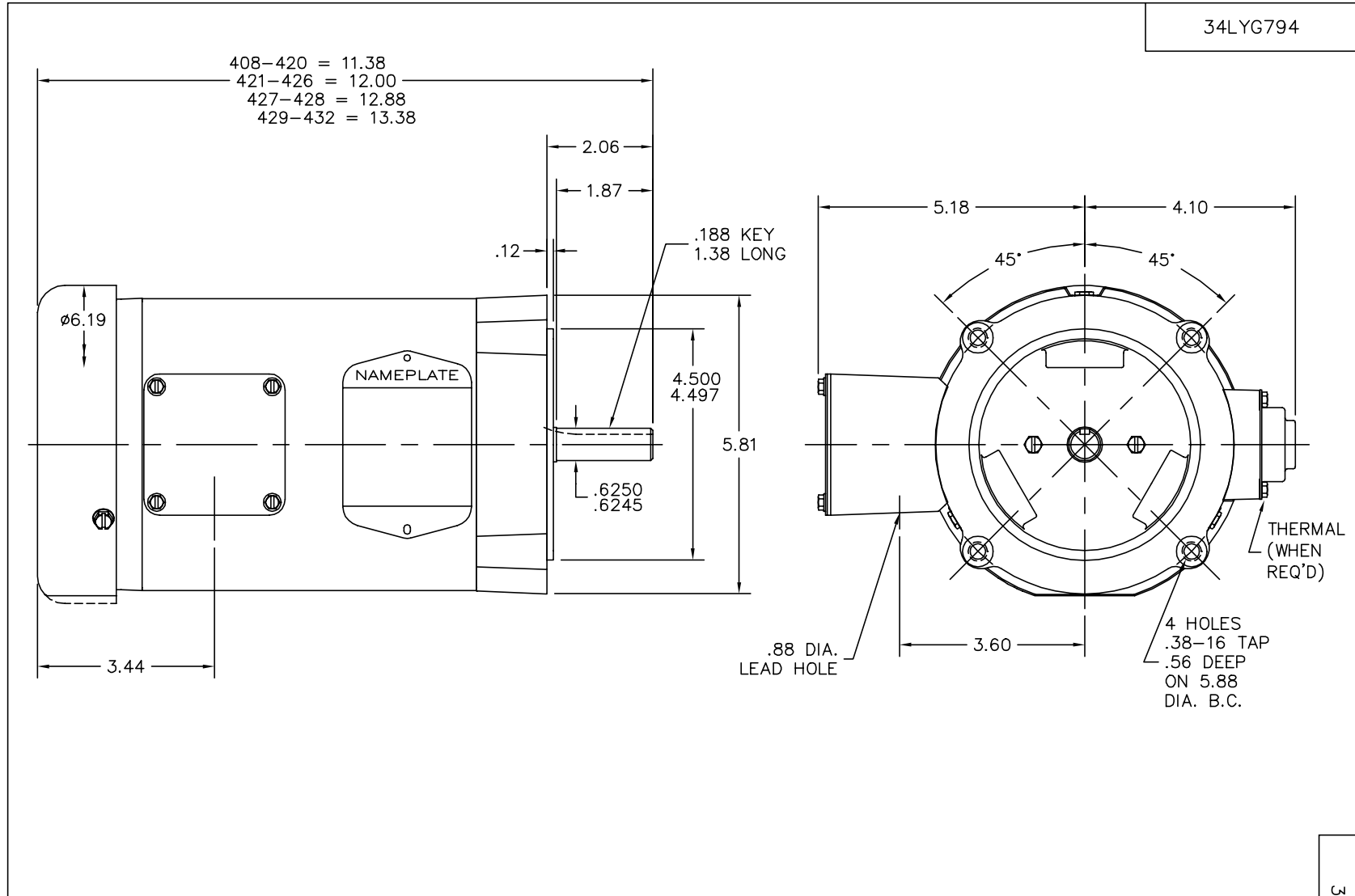
Full Load Torque:	3.0 LB-FT	Start Configuration:	DOL
No-Load Current:	2.4 Amps	Break-Down Torque:	12.7 LB-FT
Line-line Res. @ 25°C.:	3.3 Ohms A Ph / 0.0 Ohms B Ph	Pull-Up Torque:	10.6 LB-FT
Temp. Rise @ Rated Load:	79 C	Locked-Rotor Torque:	14.3 LB-FT
Temp. Rise @ S.F. Load:	94 C	Starting Current:	26.0 Amps

Load Characteristics

% of Rated Load	25	50	75	100	125	150	S.F.
Power Factor:	30.0	47.0	60.0	68.0	75.0	79.0	72.0
Efficiency:	63.9	75.4	78.3	78.6	77.4	75.5	77.9
Speed:	1781.0	1763.0	1745.0	1725.0	1702.0	1677.0	1711.0
Line Amperes:	2.46	2.66	3.0	3.44	3.94	4.54	3.74

Performance Graph at 230V, 60Hz, 1.0HP Typical performance - Not guaranteed values





CUSTOMER IS RESPONSIBLE FOR DETERMINING THAT MOTOR PERFORMANCE IS SUITABLE IN THE APPLICATION.

REV. DESC: ADD KOBX LOCATION DIMENSION		
REV. LTR: C	VERSION: 03	TDR: 000000450943
34LYG794	FILE: \AAA\00019\113	REVISED: 07:07:59 12/06/2007
	MTL: -	BY: ENCHECO

Baldor • Dodge • Reliance

VERT MODEL 34M NEMA 56C TEFC W/SPL STACKING

34LYG794

CD0005



LOW VOLTAGE
(2Y)



LINE

HIGH VOLTAGE
(1Y)



LINE

NOTES:

1. INTERCHANGE ANY TWO LINE LEADS TO REVERSE ROTATION.
2. OPTIONAL THERMOSTATS ARE PROVIDED WHEN SPECIFIED.
3. ACTUAL NUMBER OF INTERNAL PARALLEL CIRCUITS MAY BE A MULTIPLE OF THOSE SHOWN ABOVE.
4. LEAD COLORS ARE OPTIONAL. LEADS MUST ALWAYS BE NUMBERED AS SHOWN.

REV. DESC: REVISE TO SHOW OPTIONAL COLORS			
REV. LTR: E	BY: JLP	REVISED: 01/19/99 10:15	TDR: 0171435
9000D		FILE: AAA00005140	MDL: -
		MTL: -	

BALDOR ELECTRIC Co.

3PH, DV, 9 LEADS

CD0005