

D-12T



GH-400A



D-Series & GH-Series Clamp Mount Mixers

CLAMP MOUNT

After installing the impeller(s) and impeller-shaft which have to be fitted to the machine before it's operational, lower mixer into the container and lock in place with clamp assembly. Ensure the clamp is level, square, and plumb when mounted to the mixing tank. Ensure there is adequate space around the unit for cleaning, inspection and maintenance.

Illustrations below show the ideal operating angles for portable clamp-mount mixers. The mixing shaft should be 10° to 20° off vertical and 10° to 20° off tank center line.

CUP MOUNT

The D and GH Series Mixers have an OPTIONAL cup mounting pad assembly which replaces the standard C-Clamp mounting configuration. It is cast from 319L aluminum and the part number is DG-4-ASB.

IMPELLERS

The standard impellers for D Series Mixers are 3-bladed marine style propeller. The standard impellers for GH Series Mixers are 3-bladed hydrofoil. To install the impeller, back off the set screw(s) as far as possible without removing them. Insert mixing shaft into the bore and tighten the set screw(s) firmly to secure the shaft to the impeller.

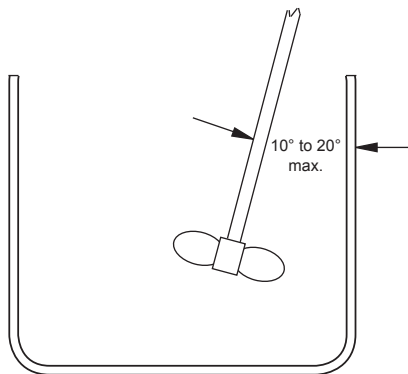
IMPELLER PLACEMENT

For mixers with ONE impeller, mount it 1 to 2 impeller diameters distance off the bottom of mixing container.

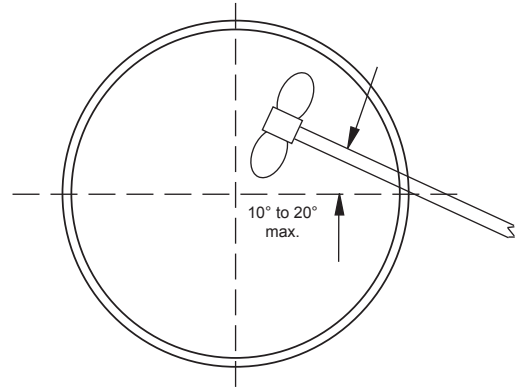
For mixers with TWO or more impellers, mount the lowest impeller 1 to 2 impeller diameters distance off the bottom of mixing container. Mount the other impellers 1 to 2 impeller diameters apart. The uppermost impeller should be positioned approximately 1 impeller diameter under the surface of the liquid.

The above guide-lines are “rules of thumb” and may not be the best for your situation. Experimenting with impeller placement may provide your best results.

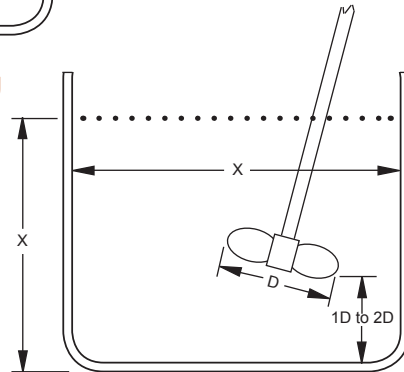
ILLUSTRATIONS BELOW SHOW THE IDEAL OPERATING ANGLES FOR PORTABLE CLAMP-MOUNT MIXERS. THE MIXING SHAFT SHOULD BE 10° TO 20° OFF VERTICAL AND 10° TO 20° OFF TANK CENTER LINE.



Off Vertical Mounting



Off Center Line Mounting



Impeller Placement

Optional Cup Mount Diagram

