

BALDOR® • ***RELIANCE***

Product Information Packet

CDPWD3330

.5HP,1750RPM,DC,56C,3336P,TENV,F1

Part Detail							
Revision:	AH	Status:	PRD/A	Change #:		Proprietary:	No
Type:	DC	Prod. Type:		Elec. Spec:	33WGZ122	CD Diagram:	
Enclosure:	TENV	Mfg Plant:		Mech. Spec:	33-2142	Layout:	
Frame:	56C	Mounting:	F1	Poles:	///	Created Date:	
Base:	RG	Rotation:	R	Insulation:	F	Eff. Date:	03-01-2011
Field Type:		Literature:		Elec. Diagram:		Replaced By:	

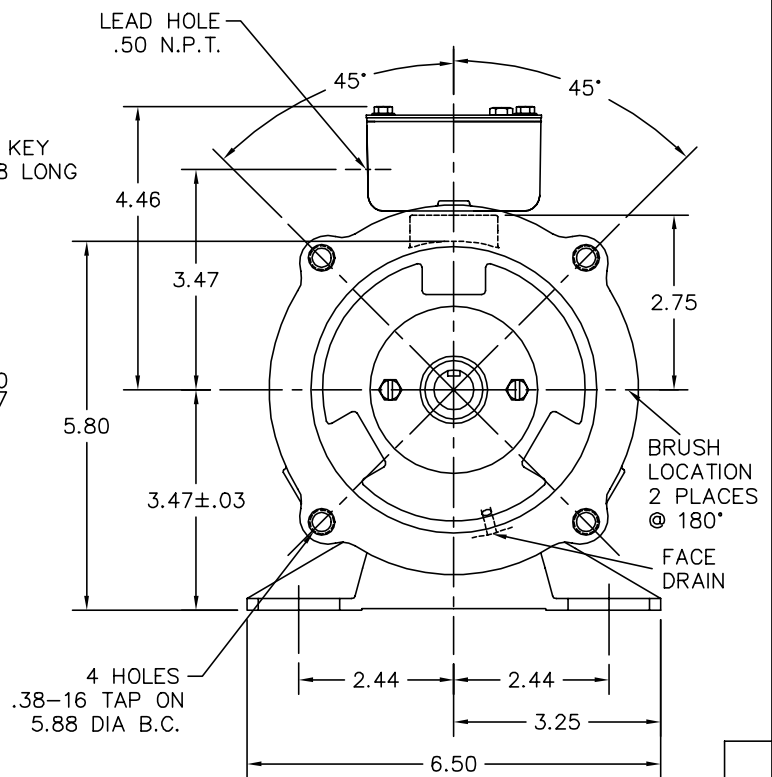
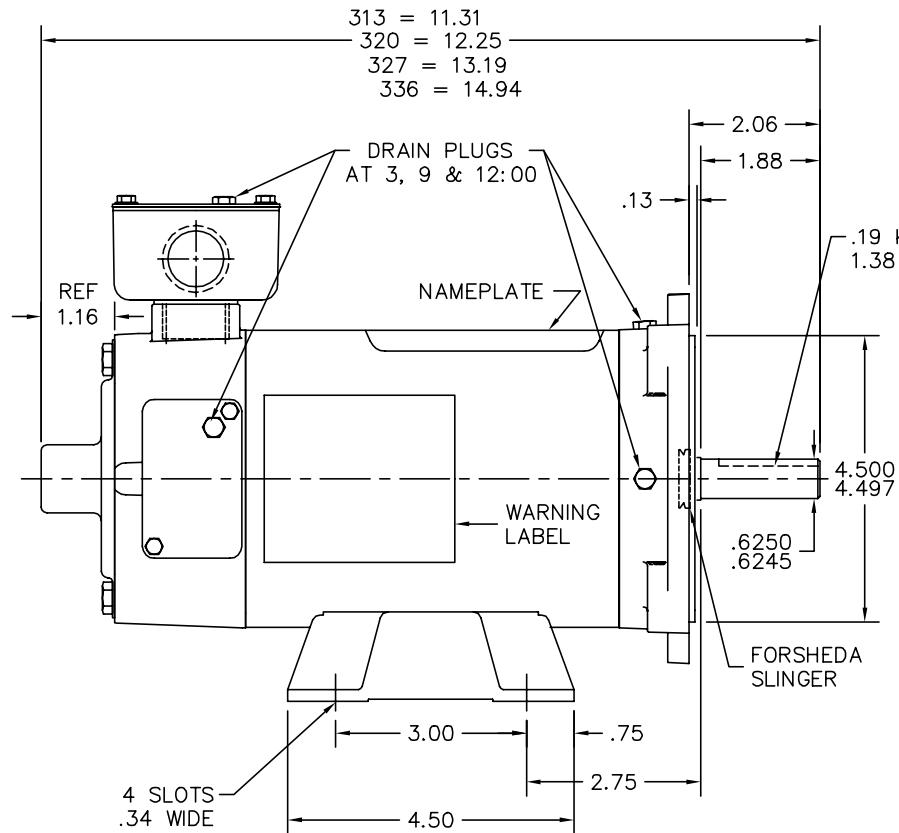
Nameplate NP1509

CAT.NO.	CDPWD3330						
SPEC.	33-2142Z122						
HP	.5	ENCL			TENV		
RPM	1750						
FRAME	56C	TYPE			3336P		
ARM V	90	ARM A			4.8		
FLD V		FLD A					
INSUL	F	AMB.			40		
DUTY	CONT	SUPPLY			1.3		
BRG/DE	6203	BRG/ODE			6203		
BRUSHES	2/BP5011T01						
	BLANK						
SER.							
BLANK							
APRV-CSA	APRV-UL			APRV-CE			

Parts List		
Part Number	Description	Quantity
SA005091	SA 33-2142Z122	1.000 EA
AA002740	AA 33-2142Z122	1.000 EA
BP5011T01SP	CARBON BRUSH - 33P, 90V	1.000 EA
BP5012A04SP	BRUSH SPRING FOR DC MOTORS	1.000 EA
33CB3001B02W	CONDUIT BOX, MACH/COATED WHITE	1.000 EA
33GS1013	GASKET - CONDUIT BOX, .062 WHITE NEOPREN	1.000 EA
51XT0832A08	8-32 X 1/2 TY23 HXWS SLDSR	3.000 EA
HW3001B02	BRASS CUP WASHER W/GROUND SYMBOL TAB,	1.000 EA
51XW0832G07	8-32 X 7/16 TY23 HXWS SLDSR GR	1.000 EA
51XW0832A07	8-32 X .44, TAPTITE II, HEX WSHR SLTD SE	4.000 EA
33EP3101A13W	FR ENDPLATE, MACH W/WHITE EPOXY PAINT	1.000 EA
HW4600A54	SEAL 0.668 X 1.064 X 0.250 DOUBLE SHIELD	1.000 EA
33CB4501A04W	BRUSH INSPECTION COVER, COATED WHITE EPO	2.000 EA
33GS1014	GASKET, BRUSH INSP. COVERTDR 11640	2.000 EA
11XT0832S07	08-32 X 7/16 HX SL WS HD, 304 STAINLESS	6.000 EA
HA6887	SHAFT PROTECTOR STAMPED STEEL 20 GA.	1.000 EA
10XN2520S06	1/4 20X3/8 HX HD CAP S.S.	2.000 EA
HW5100A03SP	WAVY WASHER (W1543-017)	1.000 EA
33EP3302A14W	PULLEY ENDPLATE ENCL 33PM 56C W/WHITE EP	1.000 EA
HW4600A54	SEAL 0.668 X 1.064 X 0.250 DOUBLE SHIELD	1.000 EA
HW4600B39SP	SEAL 0.550 X .790 X .180 FACE SEALING	1.000 EA
11XN1032S20	10-32 X 1-1/4 HEX WASHER HEAD, SLOTTED	2.000 EA
19XA1016S06	10-16X 3/8" TYPE AB SS X	3.000 EA
WD4102A12	SR 6P-4 HEYCO STRN RELIEF OR 23MP06P40 M	1.000 EA

Parts List (continued)		
Part Number	Description	Quantity
34CB4500A10W	CONDUIT BOX LID, MACH W/WHITE EPOXY	1.000 EA
33GS1012	GASKET - CONDUIT BOX LID, MODEL 33PM	1.000 EA
11XT0832S07	08-32 X 7/16 HX SL WS HD, 304 STAINLESS	5.000 EA
HW2502D13	SS KEY, 3/16 SQ X 1.375	1.000 EA
HA7000A04	KEY RETAINER 0.625 DIA SHAFTS	1.000 EA
MG1025W01	PAINT- 781-01 WILKOFAS WHITE EPOXY	0.013 GA
10XF0440S02	04-40 X 1/8 TYPE F HEX HD STAINLESS STIC	2.000 EA
MJ5001A01	46-665 RED SEALER	0.001 QT
33RK5004SP	ROCKERARM	1.000 EA
HA3100S03	THRUBOLT- 10-32 X 10.625 302 OR 303 SS	2.000 EA
MG1500Y02	PRIMER, 347.29 WILKOPON, YELLOW EPOXY PR	0.013 GA
LB5040	INSTRUCTION TAG, AC & DC	1.000 EA
LB1164	LABEL,WARNING AND DRAIN	1.000 EA
LB1125C01	STD (STOCK) CARTON LABEL BALDOR WITH FLA	2.000 EA
LC0194	CONNECTION LABEL FOR TYPE PM-DC MOTOR W/	1.000 EA
NP1509	DC, WD, UL CE CSA, W/O THERMAL	1.000 EA
27PA1001	PACKAGING GROUP	1.000 EA

33LY2142



CUSTOMER IS RESPONSIBLE FOR DETERMINING THAT BALDOR'S PRODUCT WILL PERFORM SUITABLY IN THE INTENDED APPLICATION.

REV. DESC: SHOW FACE DRAIN IN PULLEY END VIEW		
REV. LTR: S	VERSION: 02	TDR: 000000709203
FILE: \AAA\00029\865		REVISED: 01:41:58 08/23/2011
MTL: -		BY: ENTRUVU

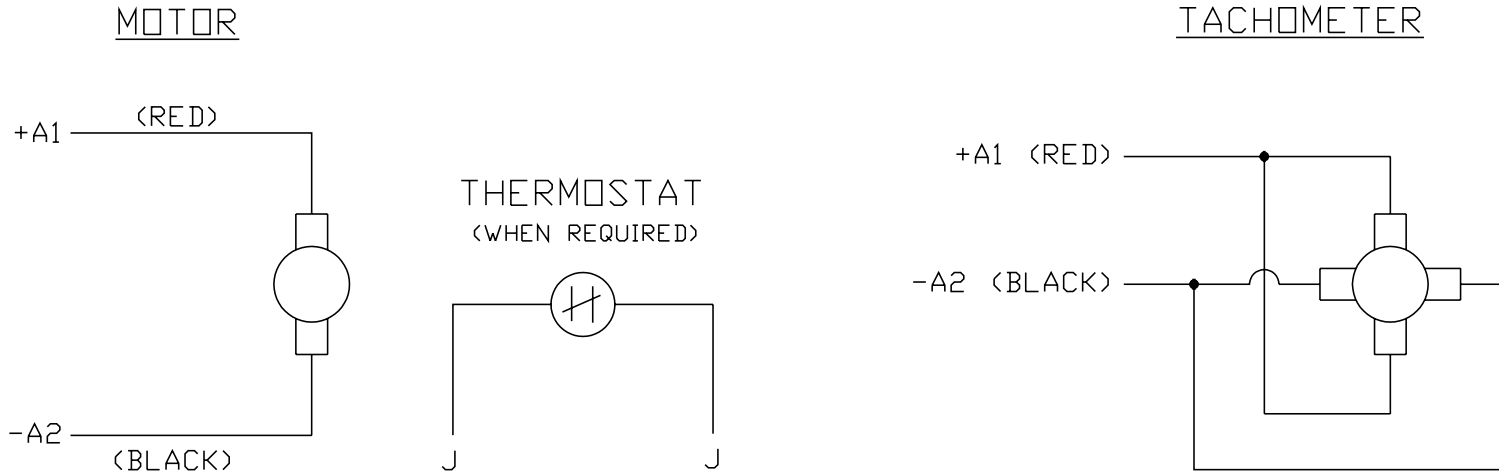
BALDOR

STD HORZ 33PM TENV NEMA 56C WASHDOWN DUTY W/M.F.T.K.

SH 1 of 1

33LY2142

CD0194



NOTES:

1. CCW ROTATION AS SHOWN FACING COMMUTATOR END. TO REVERSE MOTOR ROTATION OR TACHOMETER OUTPUT POLARITY INTERCHANGE LEADS A1(RED) & A2(BLACK)
2. LEAD COLORS FOR REFERENCE ONLY & NOT SPECIFIED BY THIS DRAWING. LEAD COLORS SPECIFIED BY LAYOUT DRAWING & BILL OF MATERIAL ONLY.

MATL: -			
REV:	E	ADDED NOTE "LEAD COLORS FOR REFERENCE ONLY &..."	
#61000		SCALE: -	BY: CK
CD0194		REVISD: 07/28/95	TDR: 0078737
		FILE: AAA00004503	

BALDOR ELECTRIC Co.

CD TYPE P DC PERMANENT MAGNET MOTORS AND TACHOMETERS

CD0194