

BALDOR® • RELIANCE

Product Information Packet

VM3558

2HP,1735RPM,3PH,60HZ,56C,3523M,TEFC,F1,N

Part Detail							
Revision:	B	Status:	PRD/A	Change #:		Proprietary:	No
Type:	AC	Prod. Type:	3523M	Elec. Spec:	35WGP805	CD Diagram:	
Enclosure:	TEFC	Mfg Plant:		Mech. Spec:	35A013	Layout:	
Frame:	56C	Mounting:	F1	Poles:	04	Created Date:	08-05-2010
Base:	N	Rotation:	R	Insulation:	F	Eff. Date:	01-24-2011
Leads:	9#18	Literature:		Elec. Diagram:		Replaced By:	

Nameplate NP1256L

CAT.NO.	VM3558						
SPEC.	35A013P805G1						
HP	2						
VOLTS	208-230/460						
AMP	6.5-6/3						
RPM	1735						
FRAME	56C	HZ	60	PH	3		
SER.F.	1.15	CODE	L	DES	B	CLASS	F
NEMA-NOM-EFF	82.5	PF	76				
RATING	40C AMB-CONT						
CC		USABLE AT 208V					
DE	6205	ODE	6203				
ENCL	TEFC	SN					

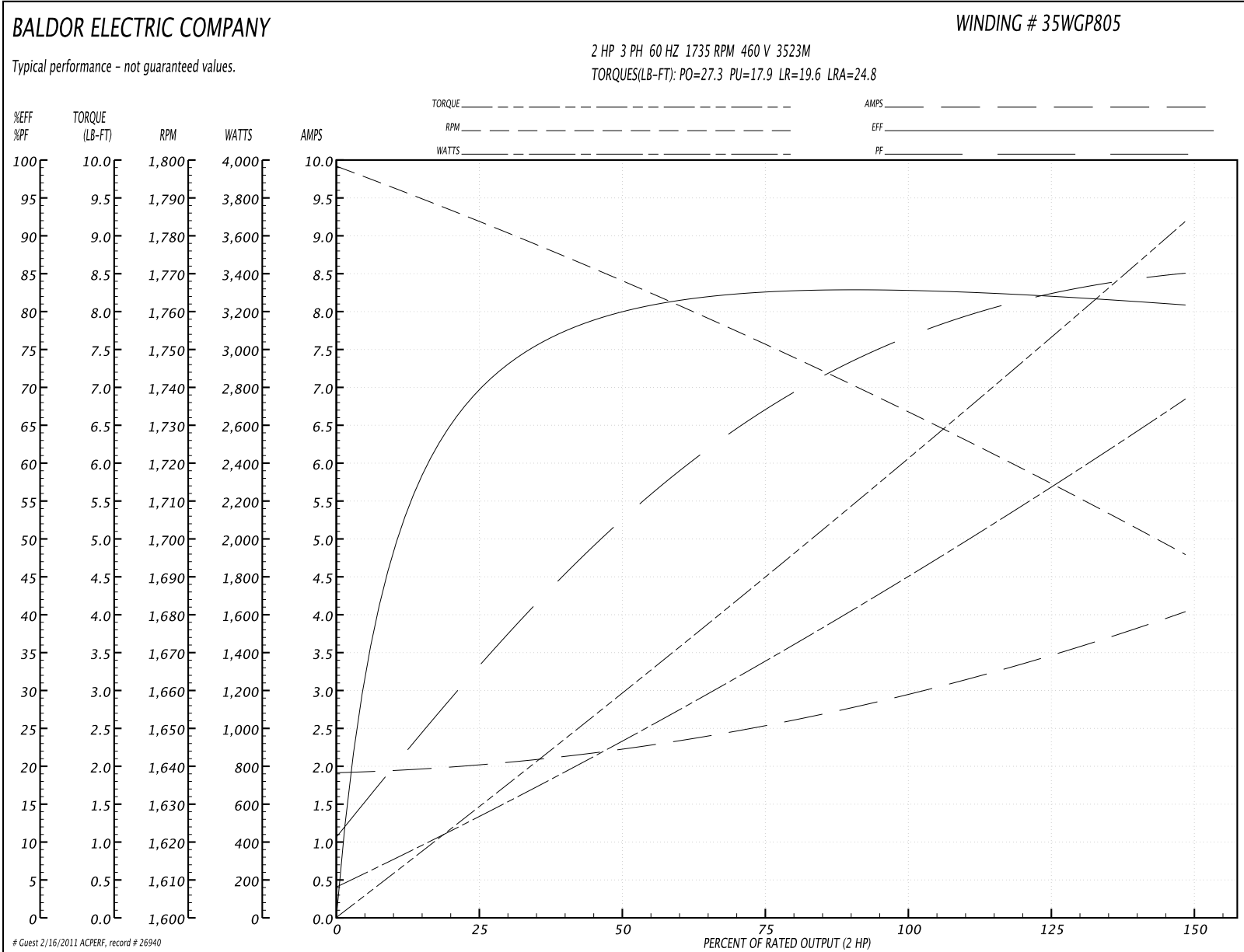
Parts List		
Part Number	Description	Quantity
SA201171	SA 35A013P805G1	1.000 EA
RA188475	RA 35A013P805G1	1.000 EA
35FN3002A05SP	EXFN, PLASTIC, 6.376 OD, .638 ID	1.000 EA
NS2512A01	INSULATOR, CONDUIT BOX X	1.000 EA
35CB3007	35 CB CASTING W/.88 DIA. LEAD HOLE	1.000 EA
36GS1000SP	GASKET-CONDUIT BOX, .06 THICK #SV-330 LE	1.000 EA
51XB1016A07	10-16 X 7/16 HXWSSLD SERTYB	2.000 EA
11XW1032G06	10-32 X .38, TAPTITE II, HEX WSHR SLTD U	1.000 EA
35EP3100M02	FREP TEFC 203 BRG W/O GRSR (RAISED FH MT	1.000 EA
HW5100A03SP	WAVY WASHER (W1543-017)	1.000 EA
35EP3300A33	SPL FACE MTD EP -ENCL-205 BRG	1.000 EA
51XN1032A20	10-32 X 1 1/4 HX WS SL SR	2.000 EA
51XB1214A16	12-14X1.00 HXWSSLD SERTYB	1.000 EA
35FH4005A32SP	IEC FH NO GRSR W/3 HOLES - W/AUTOPHERETI	1.000 EA
51XW1032A06	10-32 X .38, TAPTITE II, HEX WSHR SLTD S	3.000 EA
35CB4521	35 LIPPED CB LID (GALV & PHOSPH)	1.000 EA
35GS1030	35 GS FOR CB LID - LEXIDE	1.000 EA
51XW0832A07	8-32 X .44, TAPTITE II, HEX WSHR SLTD SE	4.000 EA
HW2501D13SP	KEY, 3/16 SQ X 1.375	1.000 EA
HA7000A04	KEY RETAINER 0.625 DIA SHAFTS	1.000 EA
85XU0407S04	4X1/4 U DRIVE PIN STAINLESS	2.000 EA
MJ1000A02	GREASE, POLYREX EM EXXON	0.050 LB
MG1000G27	PAINT- S9282E CHARCOAL GREY	0.017 GA
HA3100A15	THRUBOLT 10-32 X 8.375	4.000 EA

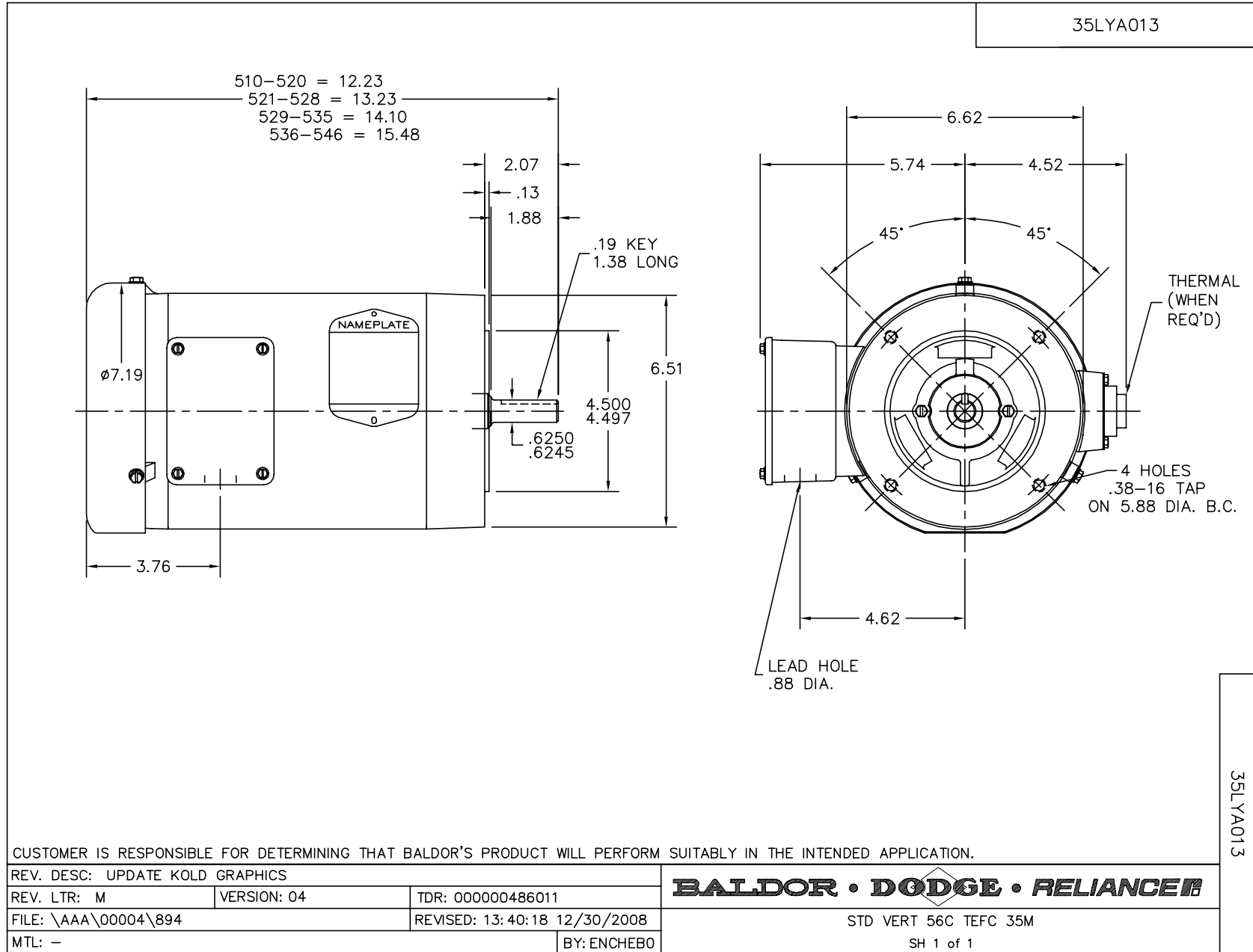
Parts List (continued)		
Part Number	Description	Quantity
LB1125C01	STD (STOCK) CARTON LABEL BALDOR WITH FLA	1.000 EA
LC0005E01	CONN.DIA./WARNING LABEL (LC0005/LB1119)	1.000 EA
NP1256L	ALUM, UL CSA CC, W/O THERMAL, LASER	1.000 EA
35PA1066	PACKING GROUP COMBINED PRINT	1.000 EA
PK3082	STYROFOAM CRADLE	1.000 EA

Performance Data at 460V, 60Hz, 2.0HP (Typical performance - Not guaranteed values)

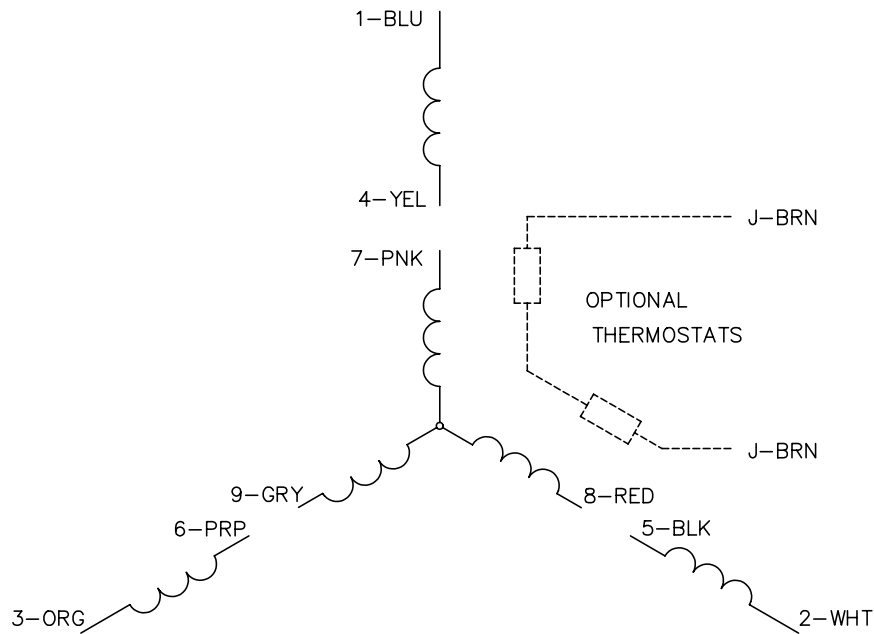
General Characteristics							
Full Load Torque:	6.05 LB-FT			Start Configuration:	DOL		
No-Load Current:	1.93 Amps			Break-Down Torque:	27.3 LB-FT		
Line-line Res. @ 25°C.:	8.22 Ohms A Ph / 0.0 Ohms B Ph			Pull-Up Torque:	17.9 LB-FT		
Temp. Rise @ Rated Load:	73 C			Locked-Rotor Torque:	19.6 LB-FT		
Temp. Rise @ S.F. Load:	93 C			Starting Current:	24.8 Amps		
Load Characteristics							
% of Rated Load	25	50	75	100	125	150	S.F.
Power Factor:	33.0	53.0	67.0	76.0	82.0	86.0	80.0
Efficiency:	68.7	79.2	82.2	82.7	82.1	80.7	82.3
Speed:	1783.0	1769.0	1752.0	1733.0	1717.0	1695.0	1723.0
Line Amperes:	2.0	2.2	2.53	2.96	3.45	4.03	3.25

Performance Graph at 460V, 60Hz, 2.0HP Typical performance - Not guaranteed values

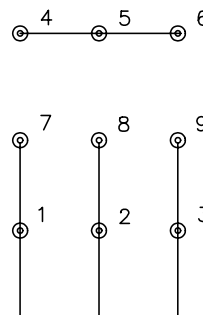




CD0005

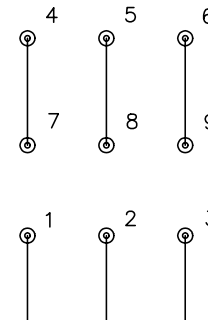


LOW VOLTAGE
(2Y)



LINE

HIGH VOLTAGE
(1Y)



LINE

NOTES:

1. INTERCHANGE ANY TWO LINE LEADS TO REVERSE ROTATION.
2. OPTIONAL THERMOSTATS ARE PROVIDED WHEN SPECIFIED.
3. ACTUAL NUMBER OF INTERNAL PARALLEL CIRCUITS MAY BE A MULTIPLE OF THOSE SHOWN ABOVE.
4. LEAD COLORS ARE OPTIONAL. LEADS MUST ALWAYS BE NUMBERED AS SHOWN.

REV. DESC: REVISE TO SHOW OPTIONAL COLORS			
REV. LTR: E	BY: JLP	REVISED: 01/19/99 10:15	TDR: 0171435
900000		FILE: AAA00005140	MDL: -
		MTL: -	

BALDOR ELECTRIC Co.

3PH, DV, 9 LEADS

CD0005