

BALDOR® • RELIANCE

Product Information Packet

L3510

1HP, 1725RPM, 1PH, 60HZ, 56/56H, 3524L, TEFC

Part Detail							
Revision:	X	Status:	PRD/A	Change #:		Proprietary:	No
Type:	AC	Prod. Type:	3524L	Elec. Spec:	35WG945	CD Diagram:	
Enclosure:	TEFC	Mfg Plant:		Mech. Spec:	35J383	Layout:	
Frame:	56H	Mounting:	F1	Poles:	04	Created Date:	
Base:	RG	Rotation:	R	Insulation:	F	Eff. Date:	01-22-2010
Leads:	6#18	Literature:		Elec. Diagram:		Replaced By:	

Nameplate NP1256L									
CAT.NO.	L3510								
SPEC.	35J383X945								
HP	1								
VOLTS	115/230								
AMP	12.8/6.4								
RPM	1725								
FRAME	56H	HZ	60	PH	1				
SER.F.	1.15	CODE	K	DES	L	CLASS	F		
NEMA-NOM-EFF	68	PF	74						
RATING	40C AMB-CONT								
CC				USABLE AT 208V	7				
DE	6205	ODE	6203						
ENCL	TEFC	SN							

Parts List		
Part Number	Description	Quantity
SA025938	SA 35J383X945	1.000 EA
RA021988	RA 35J383X945	1.000 EA
EC1645A06SP	ELEC CAP, 645-774 MFD, 125V, 2.06D X 4.	1.000 EA
NS2512A01	INSULATOR, CONDUIT BOX X	1.000 EA
35CB3007	35 CB CASTING W/.88 DIA. LEAD HOLE	1.000 EA
36GS1000SP	GASKET-CONDUIT BOX, .06 THICK #SV-330 LE	1.000 EA
51XB1016A07	10-16 X 7/16 HXWSSLD SERTYB	2.000 EA
11XW1032G06	10-32 X .38, TAPTITE II, HEX WSHR SLTD U	1.000 EA
51XW0832A07	8-32 X .44, TAPTITE II, HEX WSHR SLTD SE	2.000 EA
35EP3100M02	FREP TEFC 203 BRG W/O GRSSR (RAISED FH MT	1.000 EA
NS2501A01	INSULATOR, CAPACITOR	1.000 EA
35CB4802A02SP	CAPACITOR COVER, STAMPED X W/AUTOPHORET	1.000 EA
35GS3001A02	GASKET, CA.COVER, 5.38 LONG .06 CS301	1.000 EA
51XB1016A05	10-16X5/16HX WA SL SR TYB (F/S)	2.000 EA
HW5100A03SP	WAVY WASHER (W1543-017)	1.000 EA
35EP3101A02SP	STD PU ENDPLATE-ENCL-205 BRG LESS GREASE	1.000 EA
XY1032A02	10-32 HEX NUT DIRECTIONAL SERRATION	4.000 EA
35FN3002A05SP	EXFN, PLASTIC, 6.376 OD, .638 ID	1.000 EA
51XB1214A16	12-14X1.00 HXWSSLD SERTYB	1.000 EA
35FH4005A32SP	IEC FH NO GRSSR W/3 HOLES - W/AUTOPHERETI	1.000 EA
51XW1032A06	10-32 X .38, TAPTITE II, HEX WSHR SLTD S	3.000 EA
35CB4521	35 LIPPED CB LID (GALV & PHOSPH)	1.000 EA
35GS1030	35 GS FOR CB LID - LEXIDE	1.000 EA
51XW0832A07	8-32 X .44, TAPTITE II, HEX WSHR SLTD SE	4.000 EA

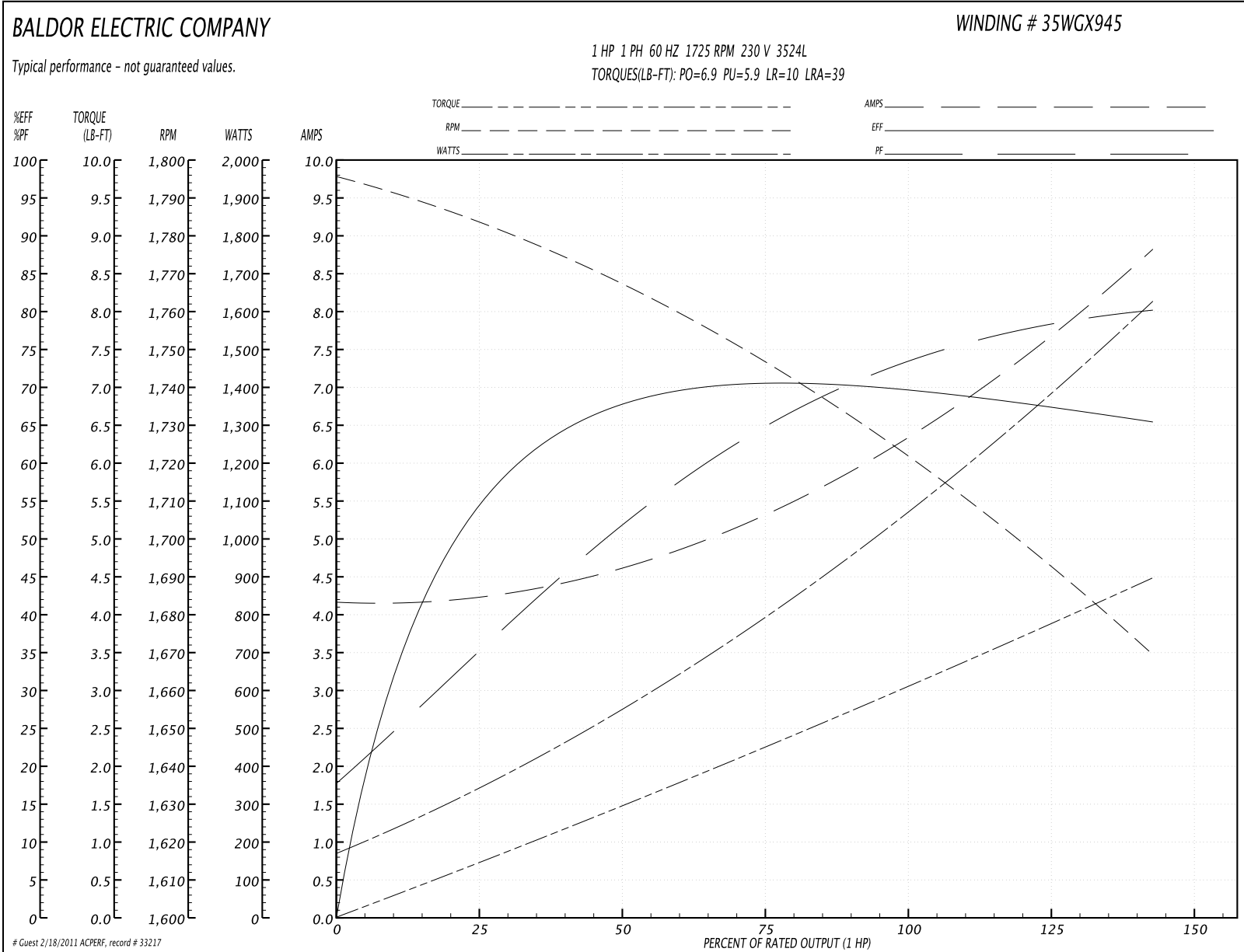
Parts List (continued)		
Part Number	Description	Quantity
HW2501D13SP	KEY, 3/16 SQ X 1.375	1.000 EA
HA7000A04	KEY RETAINER 0.625 DIA SHAFTS	1.000 EA
10XF0440S02	04-40 X 1/8 TYPE F HEX HD STAINLESS STIC	2.000 EA
WD1000A15	3-520132-2 AMP FLAG (4M/RL NON-CANC/NON-	2.000 EA
MJ1000A02	GREASE, POLYREX EM EXXON	0.050 LB
MG1000G27	PAINT- S9282E CHARCOAL GREY	0.017 GA
HA3100A18	THRUBOLT 10-32 X 9.250	4.000 EA
SP5055A67	MODEL 35 TYPE L STATIONARY SWITCH	1.000 EA
LB1125C01	STD (STOCK) CARTON LABEL BALDOR WITH FLA	1.000 EA
LC0001A01	CONN LABEL / WARNING LABEL (LC0001 / LB1	1.000 EA
NP1256L	ALUM, UL CSA CC, W/O THERMAL, LASER	1.000 EA
35PA1066	PACKING GROUP COMBINED PRINT	1.000 EA

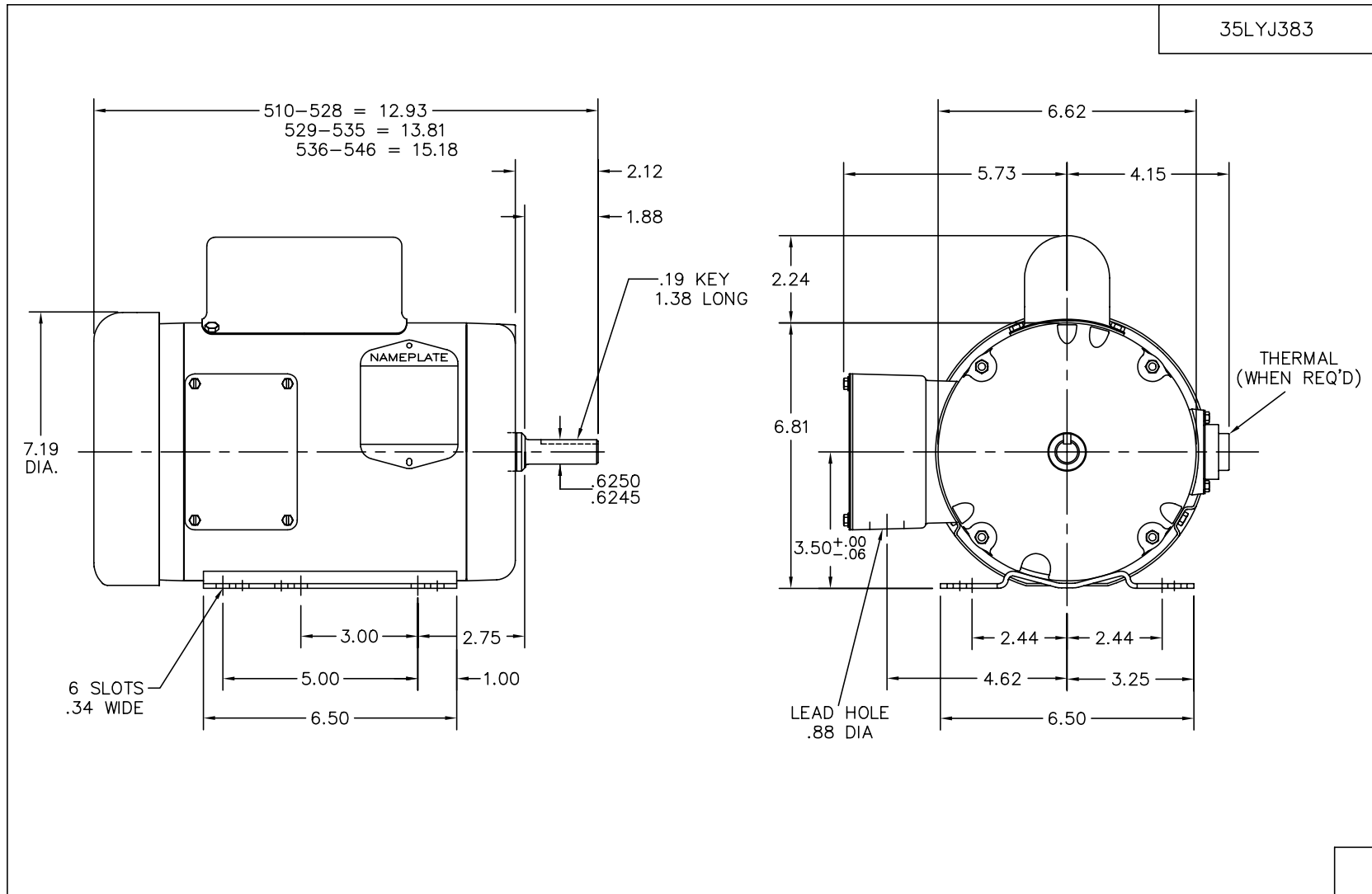
Accessories		
Part Number	Description	Multiplier
35-8762	C FACE KIT	A8
35EP1506A01SP	D-FLANGE KIT	A8

Performance Data at 230V, 60Hz, 1.0HP (Typical performance - Not guaranteed values)

General Characteristics							
Full Load Torque:	3.0 LB-FT			Start Configuration:	DOL		
No-Load Current:	4.1 Amps			Break-Down Torque:	6.9 LB-FT		
Line-line Res. @ 25°C.:	2.6 Ohms A Ph / 1.8 Ohms B Ph			Pull-Up Torque:	5.9 LB-FT		
Temp. Rise @ Rated Load:	79 C			Locked-Rotor Torque:	10.0 LB-FT		
Temp. Rise @ S.F. Load:	96 C			Starting Current:	39.0 Amps		
Load Characteristics							
% of Rated Load	25	50	75	100	125	150	S.F.
Power Factor:	39.0	53.0	67.0	75.0	81.0	84.0	79.0
Efficiency:	52.9	67.6	70.0	70.3	68.6	64.9	69.3
Speed:	1781.0	1765.0	1746.0	1726.0	1701.0	1666.0	1711.0
Line Amperes:	4.3	4.7	5.3	6.2	7.4	8.9	6.9

Performance Graph at 230V, 60Hz, 1.0HP Typical performance - Not guaranteed values

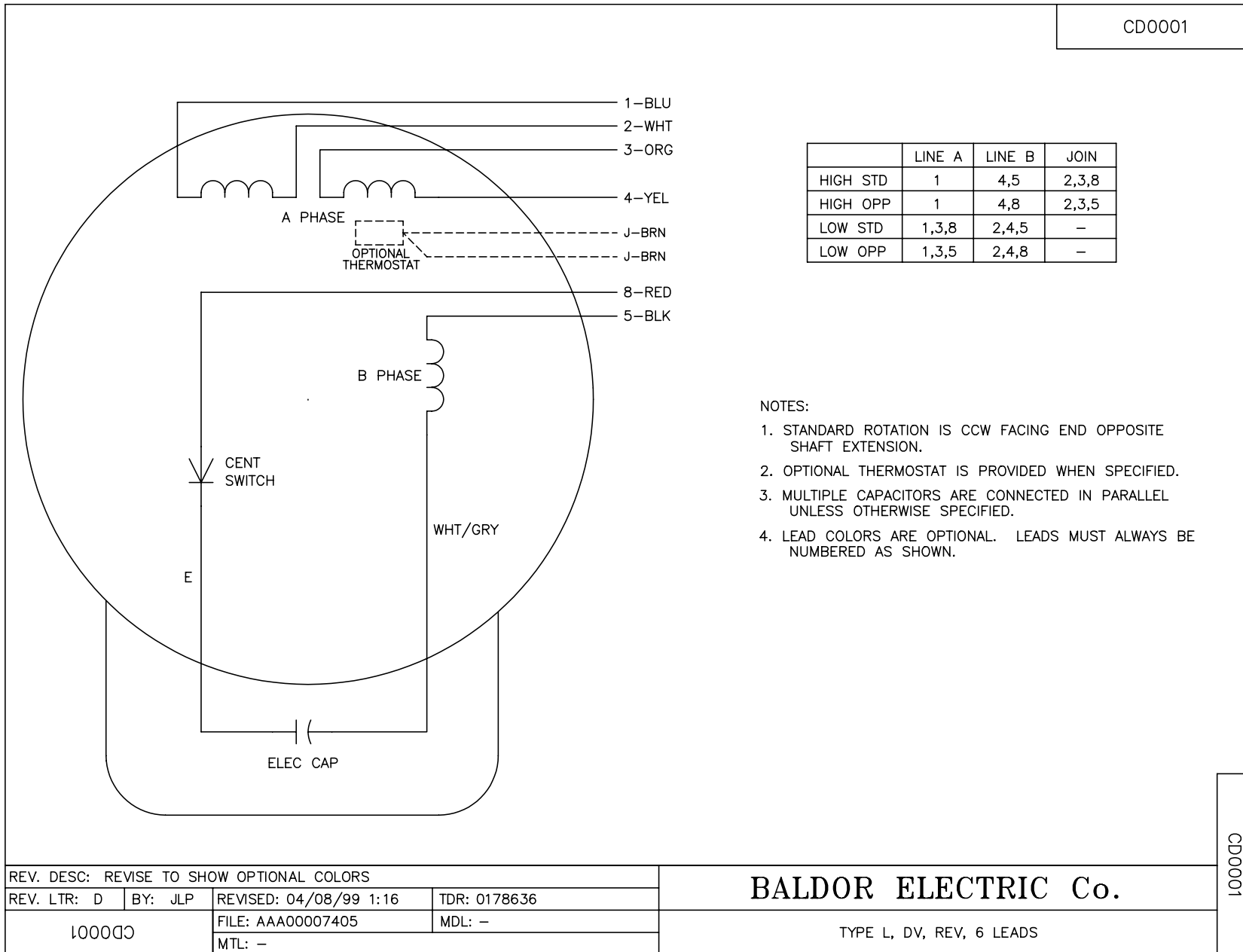




CUST. NAME		CUST. P.O.		CERTIFIED BY		MODEL		INSUL		AMB	
H.P.		MTG		TYPE		R.P.M.		VOLTS		ENCL	
PHASE		FREQ		FRAME							
REV. DESC: 15.18 WAS 15.81											
REV. LTR: E		BY: SSS		REVISED: 10/28/99 8:54				TDR: 0194000			
FILE: AAA00010408				MDL: -							
MTL: -				<p style="text-align: center;">BALDOR ELECTRIC Co.</p> <p style="text-align: center;">STD HORZ 35L NEMA 56/56H TEFC</p>							
35LYJ383											

35LYJ383

CD0001



REV. DESC: REVISE TO SHOW OPTIONAL COLORS			
REV. LTR: D	BY: JLP	REVISED: 04/08/99 1:16	TDR: 0178636
100000		FILE: AAA00007405	MDL: -
		MTL: -	

BALDOR ELECTRIC Co.

TYPE L, DV, REV, 6 LEADS

CD0001