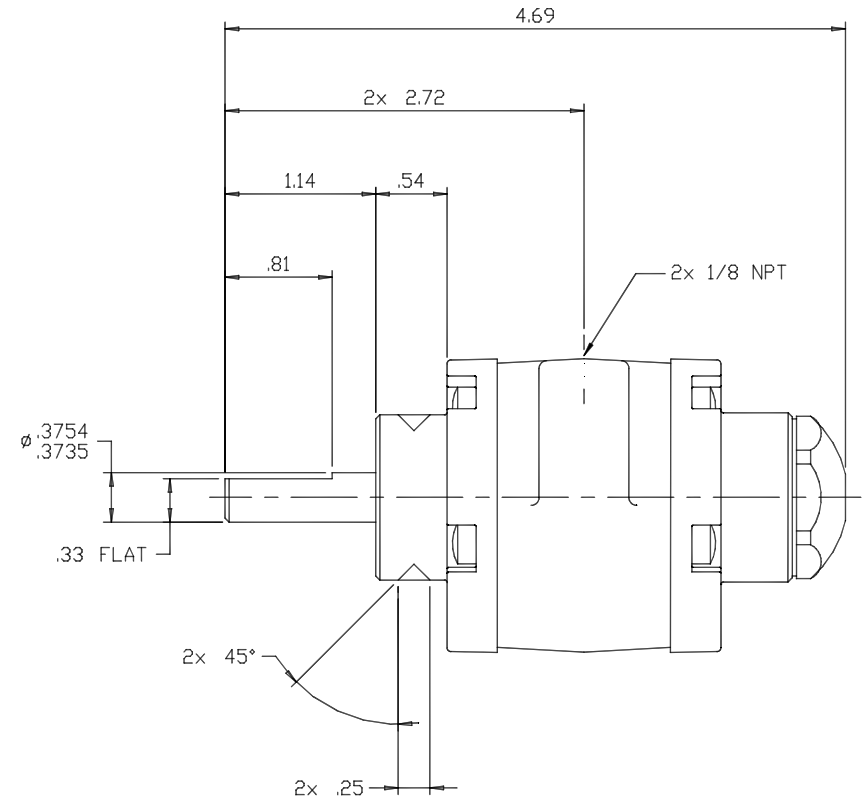
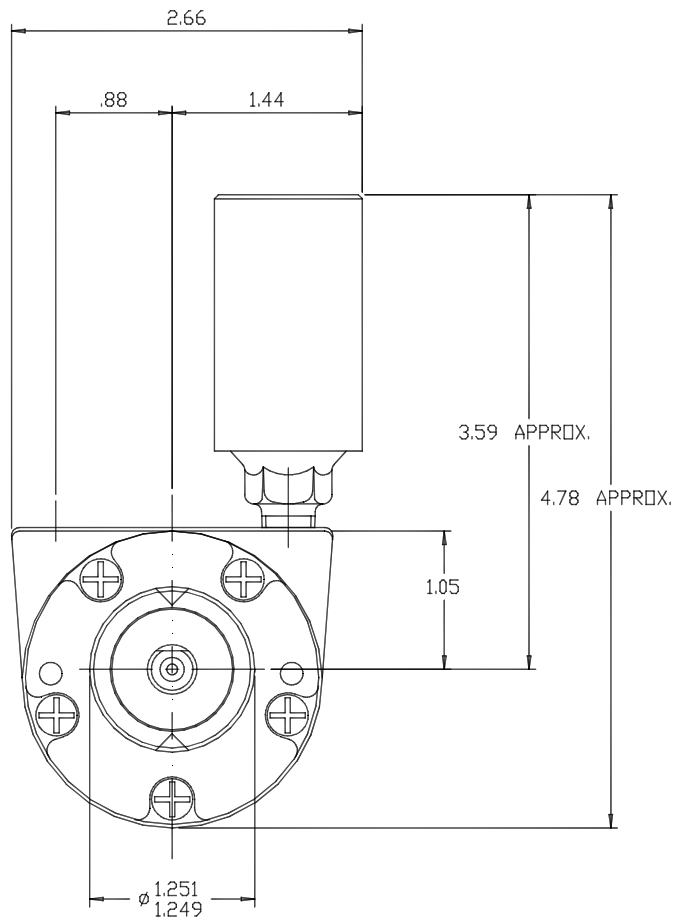


1UP-NCC-1A

NOTES:
1) MUFFLER SHOWN ATTACHED ON END VIEW, BUT SHIPPED UNATTACHED.



---		UPDATED	2-3-94	JEG	-----	FLATNESS	ALL DIMENSIONS "REF" UNLESS OTHERWISE TOLERANCED	DWG	DR. BY	MGT	DATE	10-10-89	MANUFACTURING CORPORATION BENTON HARBOR, MICH. U.S.A.		
SYN	LOC.	REVISIONS	DATE	BY	CN.	SURFACE PROFILE		B	SJB	SCALE	1:1	SOURCE		CODE	NAME
						PARALLEL		MATERIAL	ENG. APPR	RJS	LOCATION	PRD2	PRD.	DIMENSIONAL	
						PERPENDICULAR				DRAWING NO.	ASM12000			PART NO.	1UP-NCC-1A
						TRUE POSITION									REV
						CYLINDRICAL									
						CONCENTRIC									
						CIRCULAR RUN-OUT									
						TOTAL RUN-OUT									