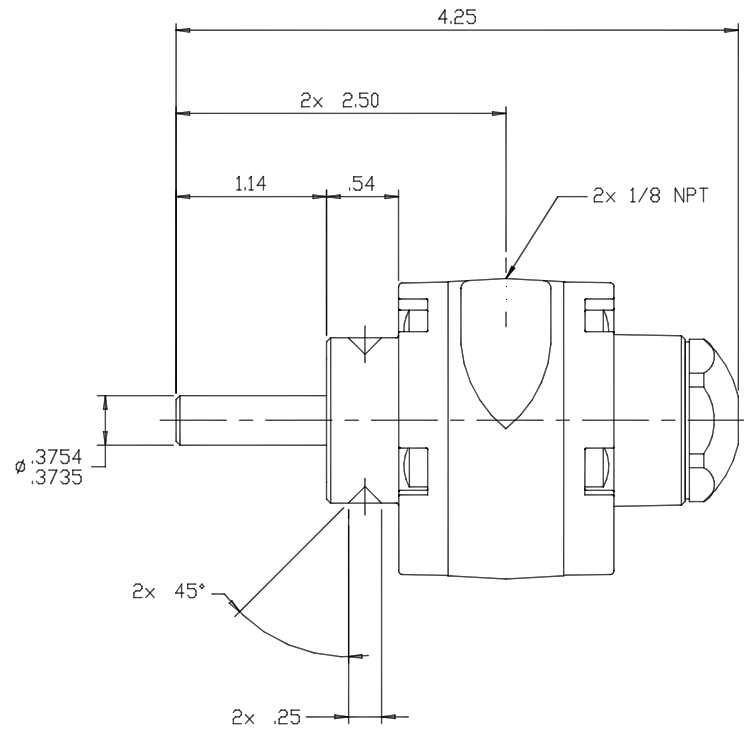
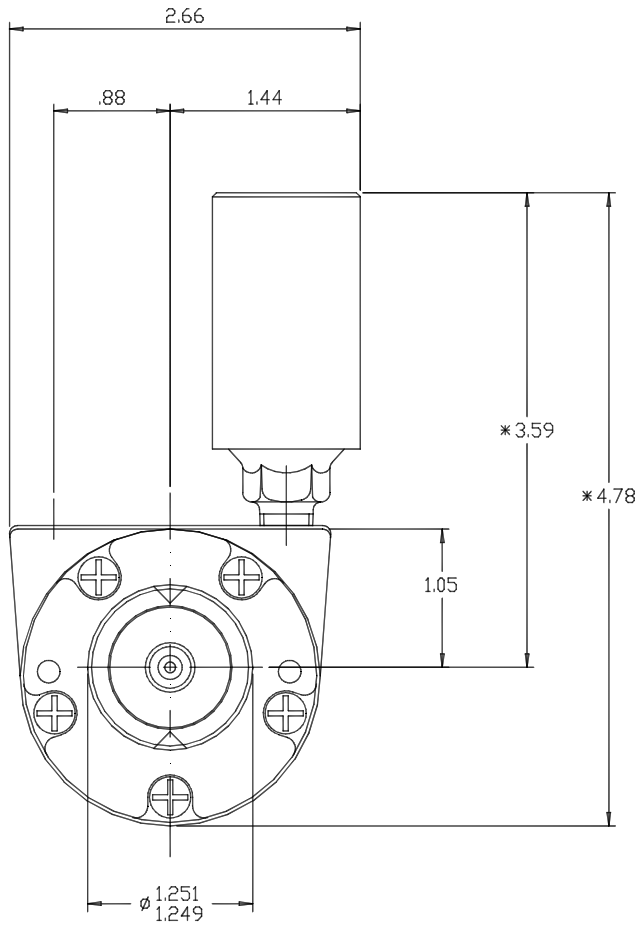


1AM-NCC-12

NOTES:  
 1) MUFFLER REMOVED FROM SIDE VIEW.  
 2) \*= DIMENSIONS MAY VARY DUE TO FITTINGS.



---		UPDATED	2-3-94	JEG	-----	<table border="1"> <tr><td>0</td><td>FLATNESS</td><td rowspan="10">ALL DIMENSIONS "REF" UNLESS OTHERWISE TOLERANCED</td></tr> <tr><td>1</td><td>SURFACE PROFILE</td></tr> <tr><td>2</td><td>PARALLEL</td></tr> <tr><td>3</td><td>PERPENDICULAR</td></tr> <tr><td>4</td><td>TRUE POSITION</td></tr> <tr><td>5</td><td>CYLINDRICAL</td></tr> <tr><td>6</td><td>CONCENTRIC</td></tr> <tr><td>7</td><td>CIRCULAR RUN-OUT</td></tr> <tr><td>8</td><td>TOTAL RUN-OUT</td></tr> <tr><td>9</td><td></td></tr> </table>	0	FLATNESS	ALL DIMENSIONS "REF" UNLESS OTHERWISE TOLERANCED	1	SURFACE PROFILE	2	PARALLEL	3	PERPENDICULAR	4	TRUE POSITION	5	CYLINDRICAL	6	CONCENTRIC	7	CIRCULAR RUN-OUT	8	TOTAL RUN-OUT	9		DWG B SIZE	DR. BY MGT	DATE 10-10-89	<p>MANUFACTURING CORPORATION BENTON HARBOR, MICH. U.S.A.</p>
0	FLATNESS	ALL DIMENSIONS "REF" UNLESS OTHERWISE TOLERANCED																													
1	SURFACE PROFILE																														
2	PARALLEL																														
3	PERPENDICULAR																														
4	TRUE POSITION																														
5	CYLINDRICAL																														
6	CONCENTRIC																														
7	CIRCULAR RUN-OUT																														
8	TOTAL RUN-OUT																														
9																															
SYN.		LOC.	REVISIONS	DATE	BY	CN.	ENG. APPR RJS	LOCATION PRD2	SOURCE CODE	PRD. GRP.	NAME DIMENSIONAL AIR MOTOR																				
							DRAWING NO. ASM11000	PART NO. 1AM-NCC-12		REV																					